

User manual

Motorized hose reel

Réf. 30841



EUROPRO

EUROPE PROJECTION - 228, avenue Olivier Perroy 13790 ROUSSET - Tél : +33 (0)4 42 29 08 96 – Fax : +33 (0)4 42 53 44 36
SAS au capital de 400 000 € - RCS Aix-en-Provence B 394 961 510 - NAF 2892 Z - Intracom : FR 54 394 961 510

Edition of 15/02/2023

More information on www.euromair.com

You just acquired one of our machines and all the team of Europe Projection thanks you for the confidence you have granted us.

Manufacturer of professional equipments for paint and fillers, we have put our know-how for 25 years at the service of the users of our machines.

Our technical & commercial team is at your disposal for any further information you may need about the machine you just acquired.

EUROPE PROJECTION

228, avenue Olivier Perroy
13790 ROUSSET
Tél : +33 (0)4 42 29 08 96
contact@euromair.com

SUMMARY

1. USER MANUAL.....	p. 3
1.1. Importance of the manual	p. 3
1.2. Receivers of the manual.....	p. 3
2. WARNING	p. 4
2.1. Safety	p. 4
2.2. Electric connection	p. 6
2.3. End-of-life of the product	p. 6
3. YOUR MACHINE	p. 7
3.1. Description.....	p. 7
3.2. Technical characteristics	p. 7
3.3. Identification of the components	p. 8
4. USE OF THE MACHINE	p. 9
4.1. Prerequisites.....	p. 9
4.2. Start-up and stop	p. 9
4.3. Cleaning	p. 9
5. DECLARATION OF CONFORMITY	p.11
6. WARRANTY CONDITIONS.....	p.12

1. USER MANUAL

1.1. IMPORTANCE OF THE MANUAL

This manual is a key part for the use of your machine. It summarizes the procedures of starting-up, cleaning and maintenance of the device and also the safety instructions you need to observe.

Read carefully all the working and safety instructions and the warnings included in this manual before starting your machine.

Most of the accidents are caused by the non-compliance of the safety standards and rules.

This manual must be kept near the machine, within reach of the user and held in good condition until the final destruction of the machine.

In case of loss or deterioration of the manual, you can ask the machine manufacturer mentioned on page 4 for a copy at any moment.

1.2. RECEIVERS OF THE MANUAL

This manual is intended to any staff which will manipulate the machine :

- people in charge of the transport of the machine
- people in charge of the use of the machine
- people in charge of the cleaning and maintenance of the machine
- people in charge of the final destruction of the machine

2. WARNING

2.1. SAFETY

Using the machine in an incorrect way or in non-compliance of the safety instructions indicated in this manual can cause death or serious injuries.

Read carefully all the working and safety instructions and the warnings contained in this manual before starting your machine.



- Respect all the safety standards before running the equipment.
- Use the equipment only for the applications specified in the manual.
- Always remain alert when using the equipment.
- Transport the machine using the handles or the appropriate grips.
- During the breaks, disconnect electrically the machine.



- Run the equipment to its nominal voltage.
- Let at least 50 cm of free space between the equipment and any obstacle so that the air flow is not blocked.
- Know how to quickly stop the equipment in case of necessity.
- Never use the equipment while it is running abnormally or it is defective.
- Do not direct a water jet or flammable liquid on the machine.
- Never direct an air jet or product jet on a person or an animal.
- Do not touch warm surfaces of the equipment.
- Always wear adequate body protections (glasses, gloves, overall and mask) and pay attention to long hair.
- Never touch moving parts.
- Do not insert any object or the hands inside the protection grids to avoid any accident or damage to the machine.
- For any outside job, only use appropriate extension cords.



- Maintain the equipment carefully and clean it properly after every use.
- Disconnect the equipment before any intervention.
- Avoid absolutely to unscrew any connection while the machine is under pressure.
- Check the damaged parts.
- Do not clean the plastic parts with solvent.
- In case of damage of the electric cable or the plug, do not run the machine and contact a licensed After-Sale Service to put genuine parts instead of the defective ones.
- In case of needed After-Sale Service, always specify the machine model and its serial number.
- For any replacement of parts, only use genuine parts.



- Do not modify the machine.
- Do not cut or dismantle the protection grids.
- Do not open the electric box.

2. WARNING (continued)

2.1. SAFETY (continued)

WORKSPACE

- Maintain the workspace clean and clear.
- Ambient operating temperature must be from 5°C and 35°C.
- Do not use the equipment in a potentially explosive area.
- Do not place any potentially inflammable objects in close proximity to the machine.
- Take away every not qualified person from the working area of the machine, as well as children and animals.
- In case of installation of the machine on scaffolding or a plan above ground level, attach the machine to avoid any fall while operating.
- Do not install the equipment on an inclined surface to avoid the risks of unexpected moves or falls.

HOSES

- Always use hoses and connections adapted to the used product (genuine parts), do not try to fix it.
- Do not walk on the hoses, do not bend them.
- Do not use the hoses to pull the machine.

STORAGE

- Keep the equipment in a clean and clear area in which the temperature does not exceed +35°C.
- After every use, necessarily grease the pump with a mixture of water + storage liquid to avoid it blocking up. The storage of a not greased pump can damage it seriously.

**IN CASE OF NECESSITY, WE SAVE OURSELVES THE RIGHT TO MAKE ANY USEFUL
MODIFICATION WITHOUT ADVANCED NOTICE.**

2. WARNING (continued)

2.2. ELECTRIC CONNECTION



The electric connection of the machine must be on a 16A - 230V plug with a differential circuit breaker.

Before any intervention on the machine, make sure that every energy supply is cut (air and electricity).

GROUND CONNECTOR

All the machines must be connected to the ground when they work to protect the operator from electric shocks. Our machines are all equipped with standardized connection plugs.

Electric connection must be made by a qualified technician. It is forbidden to modify or dismantle the machine, especially the electric box.

Repairs must be made by an authorized center or our After-sale Service.

During any intervention on the machine, make sure that the ground is well reconnected.

EXTENSION CORDS

During the use of an extension cord, make sure that it is not crushed or damaged and that it contains a ground. Check that the section of the used extension cord is sufficient to support the machine when it is working. A too thin extension cord can cause voltage drops or overheating of the machine.

In case of use of a cable reel, it is imperative to unwind it entirely, otherwise, the equipment can be damaged. The section must be proportional to the length of the cord.

2.3. END OF LIFE OF THE PRODUCT



At its end-of-life, the machine must not be eliminated with the other household waste. The uncontrolled elimination of waste can harm the environment or human health. Individuals are invited to contact the distributor which sold them the product or to inquire with their city hall to know where and how to get rid of the product so it can be recycled while respecting the environment.

Under the regulation of Waste of Electrical and Electronic Equipments (WEEE), we undertake to process the used EEES according to the following provisions: applicable only to products on the market since 08/13/05, under the brands EUROPE PROJECTION or VOLUMAIR, products of other brands sold by our company (upon presentation of the corresponding invoices), products that operate using electrical energy (for example, thermal washers or compressors do not fall into this category).

Treatment modality

WEEE returns collected by our clients/distributors at their own expense to our collection points in Antony (92) or Rousset sur Arc (13). Upon receipt, the products are sorted by our employees and directed to the most appropriate processing channels.

For any further information, please contact our hotline +33 4 42 29 08 96 or conseil@euromair.com.

3. YOUR MACHINE

3.1. DESCRIPTION

Motorized hose reel, easy to use and functional.
It allows the user to roll up the hose effortlessly, no need to unroll the whole hose to work.
Its robust fireman's chassis makes it very easy to handle.



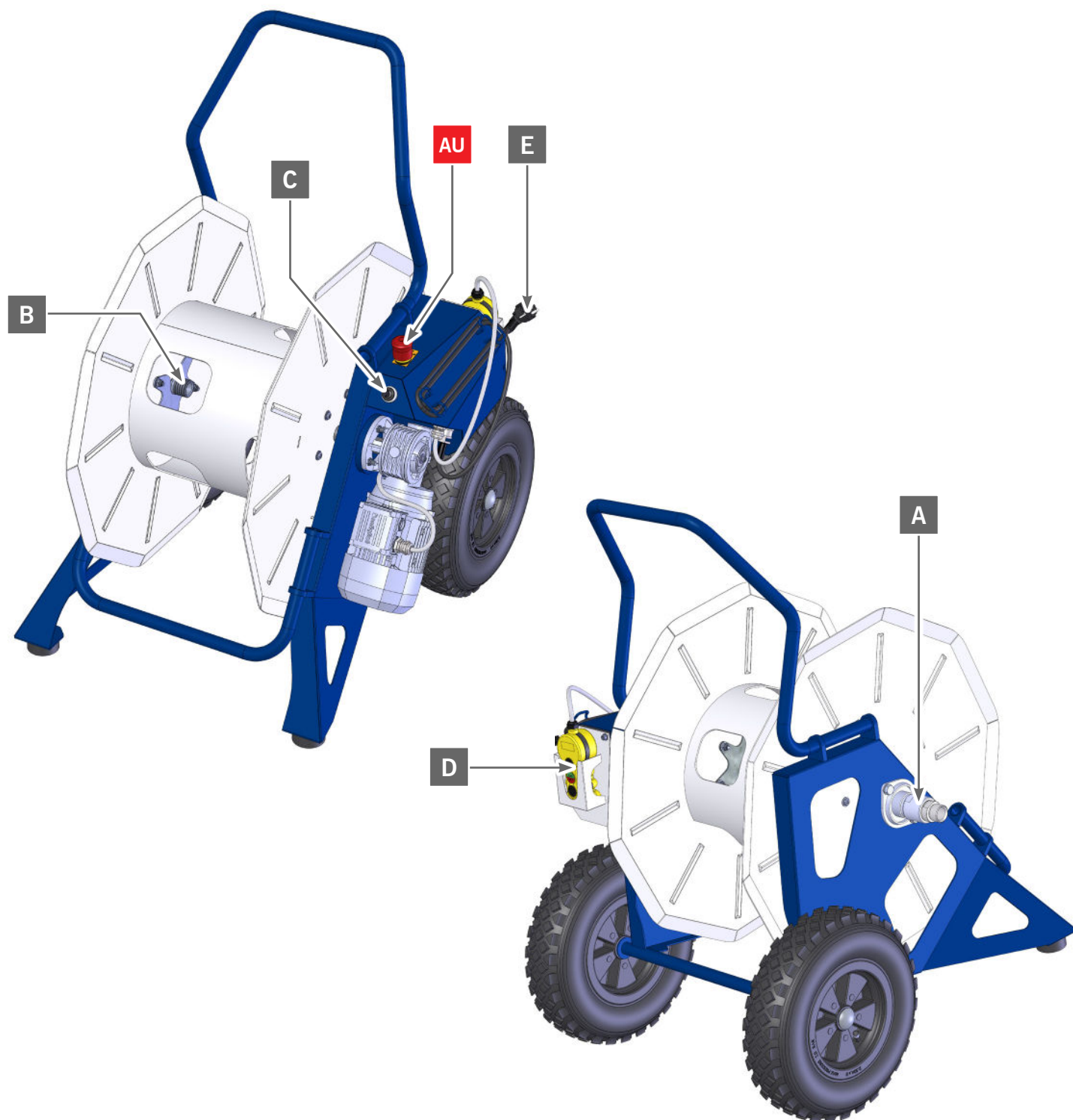
The reel is designed for hoses up to Ø25 mm and a maximum length of 40 m.

3.2. TECHNICAL CHARACTERISTICS

Maximum pressure	250 bar
Electric motor	0,55 kW / 230 V / 50 et 60 Hz
Dimensions (L x w x h)	86 x 71 x 115 cm
Weight	68 kg
Delivered with	- a connecting hose Ø25 mm x 3 m F-BSP 1"

3. YOUR MACHINE (continued)

3.3. IDENTIFICATION OF THE COMPONENTS



A	Rotating coupling for connection to the machine
B	Hose connection coupling
C	Potentiometer
D	Wired remote control
E	Power supply socket
AU	Emergency stop

4. USE OF THE MACHINE

4.1. PREREQUISITES

- The electric connection has to be 230 V - 16 A - 50 or 60 Hz.

4.2. START-UP AND STOP

1. Connect the hose supplied with the reel to the rotating coupling (A) and to the product outlet of the machine used.
2. Unroll the fluid hose completely to make it easier to install and connect it to the coupling (B).
3. Connect the hose reel plug (E) to the electrical supply.
4. Pull out the emergency stop button (AU) to turn on the hose reel.
5. Press the button on the remote control (D) to reel in the hose. The potentiometer (C) is used to increase or decrease the speed of the reel.



The hose should roll up from the bottom of the reel.

6. While the machine is in use, unwind or rewind the hose as required using the remote control (D).
7. After use, press the emergency stop button (AU) to turn off the reel.

4.3. CLEANING



Before unscrewing the hose, make sure it is not under pressure anymore.

- To clean the product hose, disconnect the hose from the swivel (A), insert the cleaning ball, then reconnect the hose and follow the cleaning procedure indicated in the machine's user manual.
- The reel can be cleaned with a humid sponge or a high pressure cleaner.



The direct projection of water under pressure onto the control panel has to be stopped at the risk of water infiltration into the electric box. Proceed by simply cleaning with a humid sponge.

5. DECLARATION OF CONFORMITY

THE MANUFACTURER : EUROPE PROJECTION
228, avenue Olivier Perroy
13790 ROUSSET

DECLARES THAT THE EQUIPMENT DESIGNATED BELOW:

Trademark : EUROPE PROJECTION

Type : Motorized hose reel

COMPLIES WITH THE DIRECTIVES:

- Machines 2006/42/CE
- Low voltage 2014/35/UE
- CEM 2014/30/UE
- ROHS 2011/65/UE



ROUSSET, JANUARY 20th 2023

Patrick BOREL
President

A handwritten signature in black ink, appearing to be 'Patrick Borel', is written over a faint circular stamp or watermark.

EUROPE PROJECTION - 228, avenue Olivier Perroy 13790 ROUSSET
Tél : +33 (0)4 42 29 08 96 – Fax : +33 (0)4 42 53 44 36

SAS au capital de 400 000 € - RCS Aix-en-Provence B 394 961 510 - NAF 2892 Z - Intracom : FR 54 394 961 510

6. WARRANTY CONDITIONS

Each equipment is delivered inspected and tested.

We exclude any warranty for visible defects, not notified by the customer within 48 hours.

The equipment sold is guaranteed during the manufacturer's warranty from the date of purchase, as specified on the original proof of purchase, and under the conditions defined by the manufacturer.

This warranty covers any equipment against any manufacturing or material defect, under normal conditions of use. Insofar as the customer is presumed to be a professional of the same field of specialty, this warranty covers only the defect of conception of the equipment rendering it unfit for its use, which could not be detected by a professional buyer.

The defects or deteriorations caused by natural wear, external accident or a modification, use, storage or treatment of the equipment not planned by the manufacturer, nor specified by ourselves, are excluded from any warranty.

Are expressly excluded from the warranty the defects resulting from an improper use, the application of abrasive or corrosive products, an inappropriate installation, the negligence, an insufficient maintenance or cleaning, inappropriate conditions of storage, chemical, electronical or electric influences, any change in the normal process of use.

The following wearing parts are not covered by the warranty (non-exhaustive list): rotors, stators, driving shafts, connecting rods, seals, cleaning balls, spray guns, lance, nozzle, hose, needle kits, cylinders, piston rods, prime/spray valve assy, seal kits, membranes, suction and delivery valves, carding machine vanes, filters, oils, chains and quick-release clip.

The warranty also excludes the equipment on which the serial number was erased or made illegible, on which unauthorized people made attempts of repair, which were totally or partially dismantled.

Our equipment are covered by a manufacturer's warranty (parts and labor) of 12 months following the purchase date by the final customer, without exceeding 24 months from the date of purchase by the client.

This manufacturer's warranty shall automatically cease if the customer does not resell the equipment within 24 months of its purchase. The cases of exclusion of warranty mentioned in articles above are also applicable to our own equipment.

The manufacturer's warranty shall always be subject to the presentation of the purchase invoice.

If the defective equipment is covered by the manufacturer's warranty, it shall be repaired or replaced at our discretion free of charge.

If the defective equipment is not covered by the manufacturer's warranty, we shall issue a quote for the repair that we shall submit to the customer for approval.

Except as otherwise required by law, this manufacturer's warranty is exclusive of all other warranties, including the statutory warranty of hidden defects.

In case of intervention of our services on a breakdown caused by the customer or an incident excluded in the conditions referred to above, the costs of repair and transport shall be invoiced to the customer.

We exclude all liability for indirect damages suffered by the customer, such as, but not limited to, loss of income, turnover, loss of profits, loss of image, of any kind whatever.

6. WARRANTY CONDITIONS (continued)

In all cases, our liability shall be limited to the amount paid by the customer for non-compliant equipment.

Any legal action of the customer against us relating to the warranty of the equipment shall be barred 1 year after the date of discovery of the defect. The customer shall have to prove the date of this discovery.

Request for Warranty

For any request related to the repair of an equipment covered by the manufacturer's warranty, the customer shall have to fill the warranty form, available on our website, under After-Sale Service.

For a full dossier, the following documents shall have to be attached:

- the purchase invoice of the final user
- pictures of the defective parts of the equipment
- a description of the breakdown
- the quote of labor if the customer is certified by EUROMAIR for repairing the equipment

No invoice of labor shall be taken into account without our prior approval.

Analysis of the breakdown by our technical department

A file number shall be given to the customer and an answer shall be provided within 48 working hours after reception, provided that the request for warranty is considered as full.

In the event the equipment is covered by the manufacturer's warranty, we shall confirm the warranty to the customer and send him a quote (without price) detailing the parts to be changed and any comments.

Return of replacement parts

Replacement parts must be ordered with a warranty agreement number and will be made available to the customer at our factory.

The conditions of return of the equipment are detailed in our Delivery terms.

In the case of a warranty claim on an on-board component such as a Kohler, Honda or Vanguard engine in a machine manufactured by us, only the manufacturer of the component is able to validate the warranty coverage.

In this case, the request must be addressed directly to the manufacturer of the component or to its nearest authorised representative. The Euromair, Euromair MPC or Mixer service centres may be considered as the manufacturer's representatives if they are the closest. As this principle also applies to batteries, our supplier Parts Holding Europe, or one of its sister companies, remains your contact for your requests (<https://www.partsholdingeurope.com/>).

EUROPRO

EUROPE PROJECTION - 228, avenue Olivier Perroy 13790 ROUSSET - Tél : +33 (0)4 42 29 08 96 – Fax : +33 (0)4 42 53 44 36
SAS au capital de 400 000 € - RCS Aix-en-Provence B 394 961 510 - NAF 2892 Z - Intracom : FR 54 394 961 510

More information on www.euromair.com