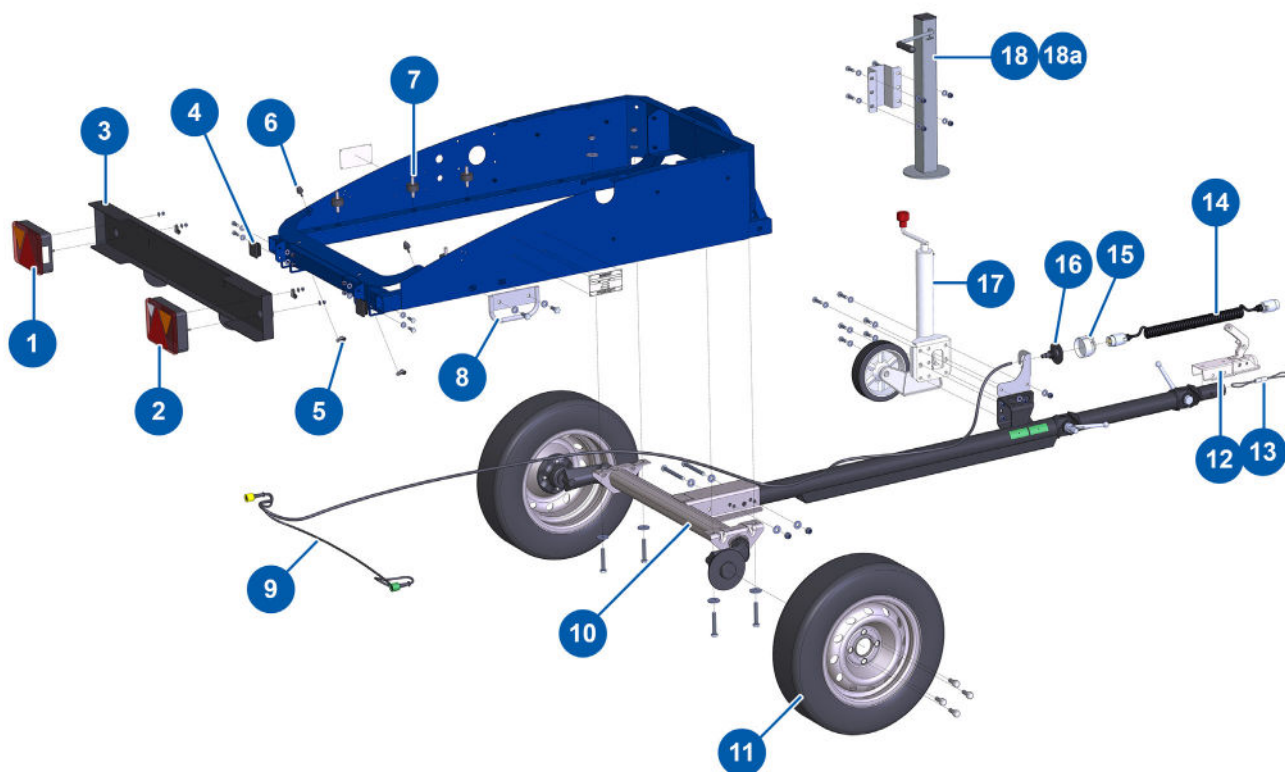


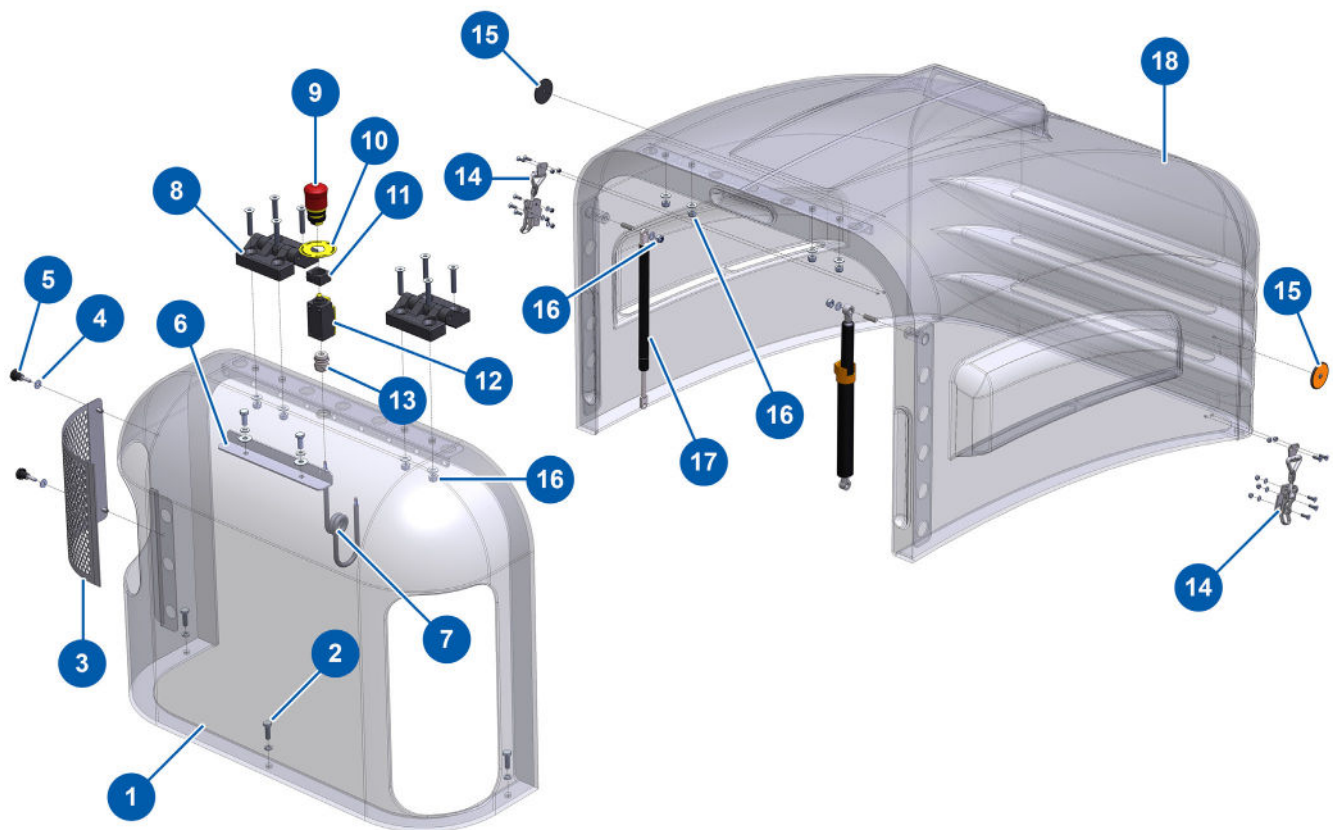
### Chassis



1	12802	Complete left rear lights - C.P 60
2	12803	Complete right rear lights - C.P 60
3	C22019	CP60 2017 light plate chassis
4	12665	Tube plastic endpiece 50 x 50 mm - CP 60
5	12395	ø 10 cable collar - CP 60
6	14216	ø 20 x 24 M6 conical stop
7	30150	Silentbloc Ø 40 x 20 M10
8	C20976	Chassis docking support CP 60 version 7.13
9	12801	Complete lighting wiring harness 3.5 m - C.P 60
10	13839	Axle 750 Kg hub 100x4 with U attachment EAB 715 - C.P 60
11	13842	Complete wheel 145/80 R13 100x4 LOAD/SPEED INDEX MINI 74 N - C.P 60

12	12877	TZ sprocket Ø 50 ball towing head - C.P 60
13	14326	Headstock safety cable AK160 ø 50 nut PA - C.P 60
14	13284	7-pin metal male sockets 2.5 m x 2 spiral extender - C.P 60
15	13282	Lighting metal 7-pin female socket - C.P 60
16	13283	Lighting metal 7-pin female socket foam rubber gasket - C.P 60
17	13905	Automatic jockey wheel 500 Kg - C.P 60 & 80
18	14547	Stand option - C.P 60, 80, 90 & 120
18a	13106	Retractable stand - C.P 60

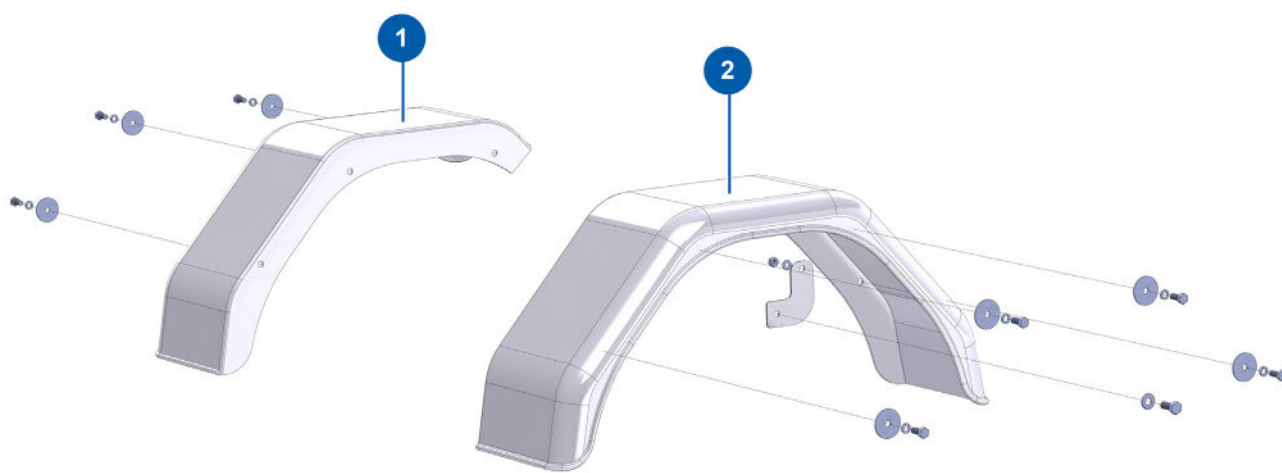
### Bodywork



1	12799	Fixed hood (small model) - C.P 60
2	11544	THEF M8 x 25 screw - C.P 60
3	C20986	CP 60 hood removable lateral grid
4	30290	Large washer Ø 5 - CP 60
5	12396	Plastic thumb wheel M5 x 20
6	C20866	Removable angle for hood reinforcement CP60 V17
7	11973	Electrical cable H05VVF 2x1 / sold by the meter
8	12797	Hood hinge - C.P 60
9	90727	Hook emergency stop button - CP 60
10	12824	Round sticker "Emergency stop" for CP 60

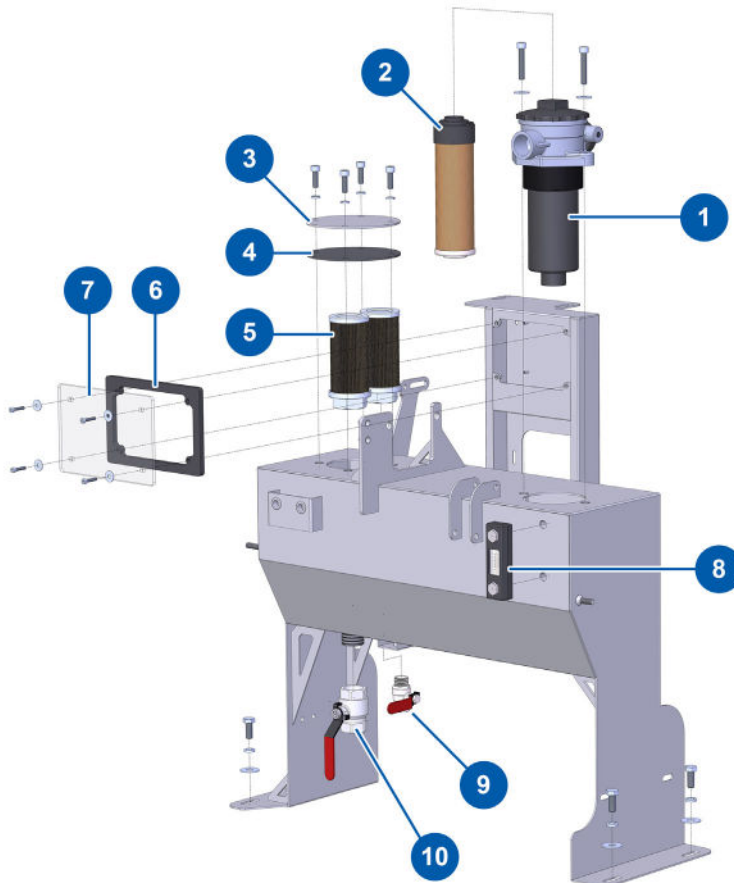
11	12664	Security switch adapter / emergency stop button - C.P 60
12	12663	Push safety switch - C.P. 60
13	80448	M 20 nickel plated waterproof cable gland
14	13111	Large hood locking adjustable locking clamp - C.P 60
15	12361	Round & orange reflector - C.P 60
16	90127	M 8 nylstop nut
17	80209	Mobile hood gas spring - C.P 60
18	12798	Mobile hood (large model) - C.P 60

### Mudguards



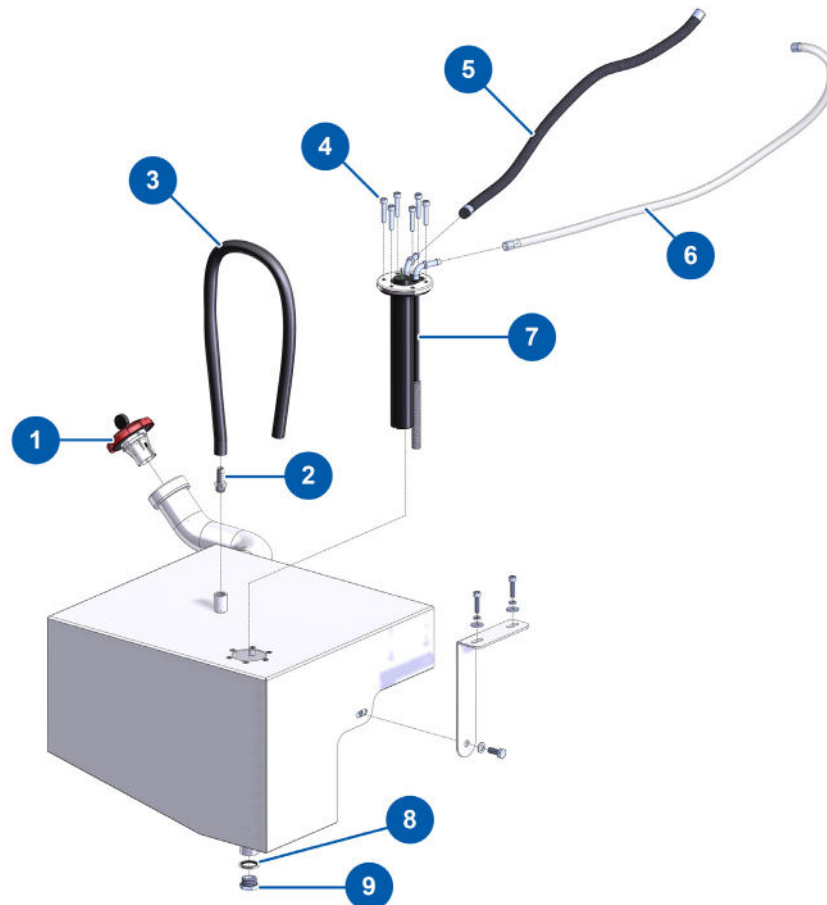
1	13093	Polyester left mudguard - C.P 60
2	13094	Polyester right mudguard - C.P 60

### Hydraulic tank



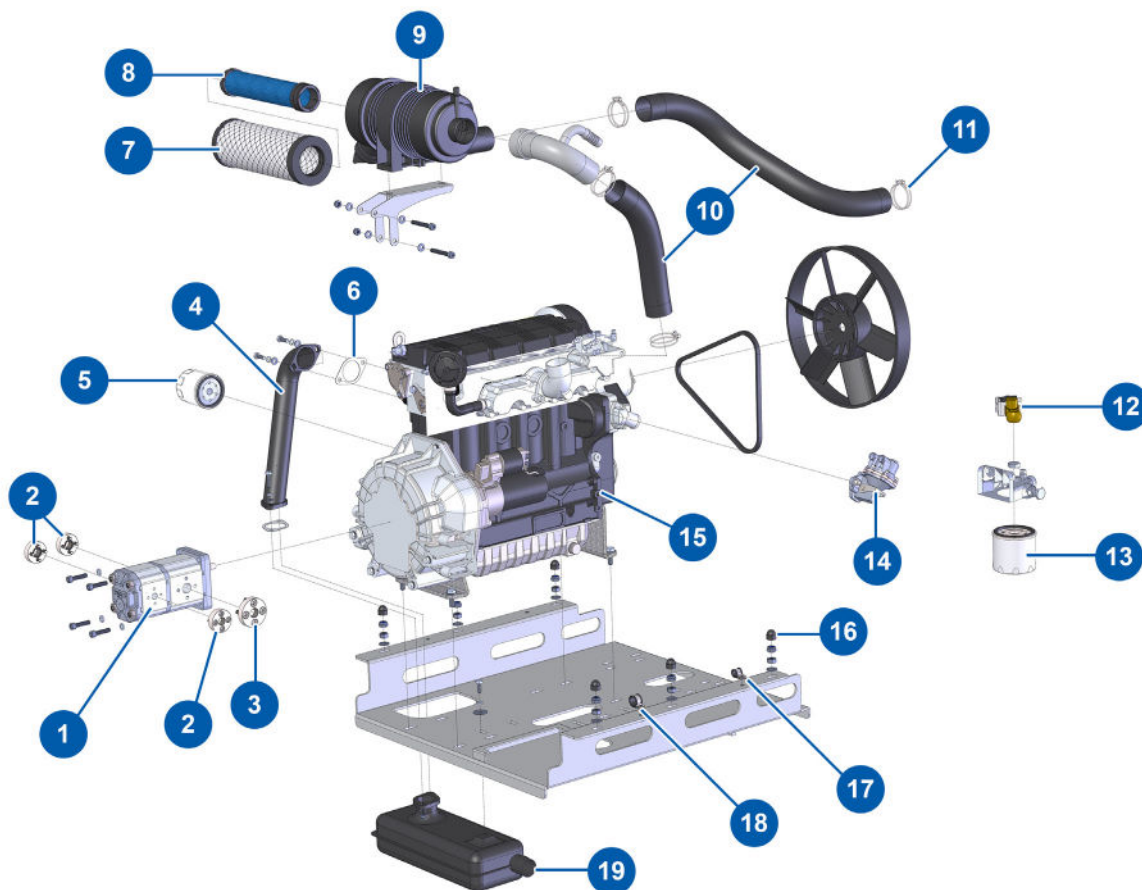
1	12327	Hydraulic oil return complete filter - JET 750
2	12351	Return filter cartridge - C.P 60
3	C20659	Tank cover
4	12780	Hydraulic tank gasket Ø 160 Thickness 3 mm - C.P 60
5	12328	1" inner threaded suction strainer - JET 750 & C.P 60
6	13018	Safety card box gasket - C.P 60
7	13017	Safety card box holder - C.P 60
8	12326	Visual level of hydraulic tank - CP 60
9	90023	Red handle valve M1/2" x F1/2"
10	70031	Drain valve for EUROPRO 4-6-8-14 P, MPE, AG, 7000z, 9000z

### Fuel tank



1	13107	Red diesel tank cap with key - C.P 60
2	80094	1/4" corrugated outer threaded coupling Ø 10
3	50021	Paint hose Ø 10 x 18 by the metre
4	90153	6 x 30 cylindrical head screw
5	12391	Gasoil supply hose Ø 7,5 mm (sold by the metre)
6	12390	Gasoil return hose Ø 6 mm (sold by the metre)
7	12989	Gasoil level gauge - length 250 mm - CP60
8	91032	Steel gasket for hollow screw with 1/2" lip
9	90239	Male plug BP 1/2"

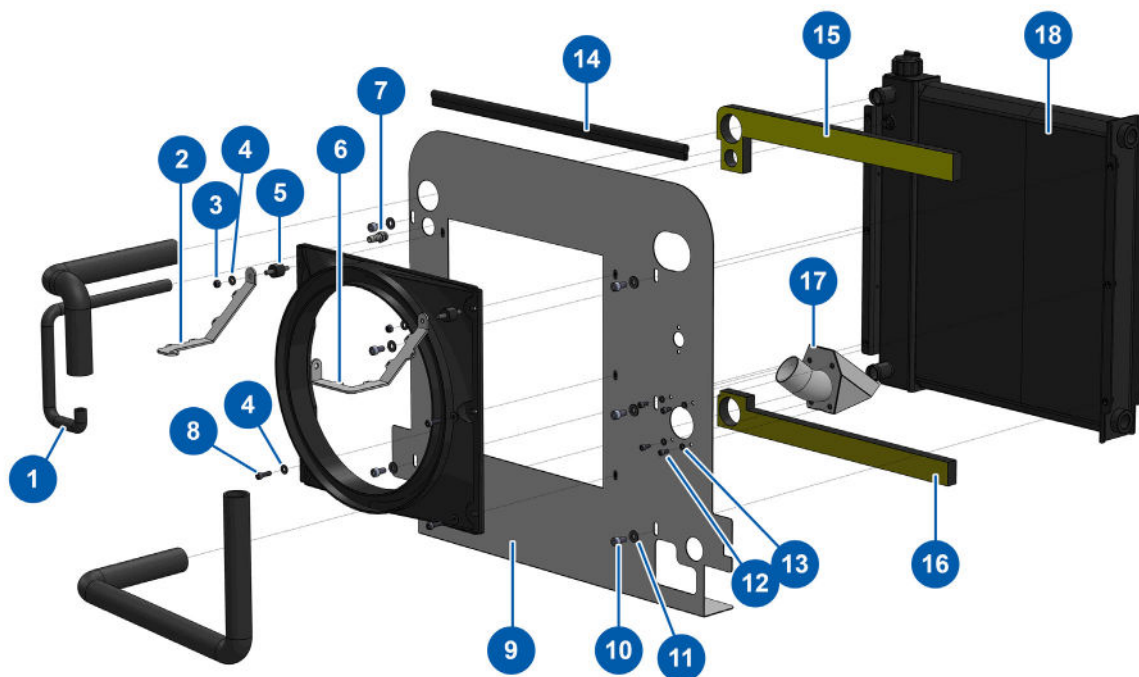
### Engine



1	14125	Double hydraulic pump 20 + 8 cc.
2	14517	4 hole inner threaded flange 3/8" BSP centre distance 30 + M6 screw
3	14518	4 hole inner threaded flange 1/2" BSP centre distance 40 + M8 screw
4	C20362	Exhaust tube 3-cylinder diesel CP60 V17
5	30832	KDW1404 motor oil filter
6	30793	LOMBARDINI motor exhaust pipe gasket - C.P 60
7	30762	Donaldson filter standard air cartridge for KOHLER KDW 1003 & 1404 motors
8	30763	Donaldson filter safety air cartridge for KOHLER KDW 1003 & 1404 motors
9	30761	Complete Donaldson cyclonic air filter for KOHLER KDW 1003 & 1404 engine

10	12538	PVC GAS sheath Ø 50 by the metre - C.P 60
11	12723	Double wire clamp ø 56 x 65 - CP 60
12	30769	LOMBARDINI 27 hp diesel filter solenoid valve - C.P 60
13	80333	27 hp LOMBARDINI motor diesel filter
14	30748	27 hp LOMBARDINI diesel priming pump - C.P 60
15	13971	KOHLER KDW 1404 diesel thermal motor
16	12794	M10 screw black plastic cover - CP 60
17	13951	ø 12 cable collar - CP 60
18	13179	ø 20 cable collar - CP 60
19	30539	CP 60 diesel motor exhaust

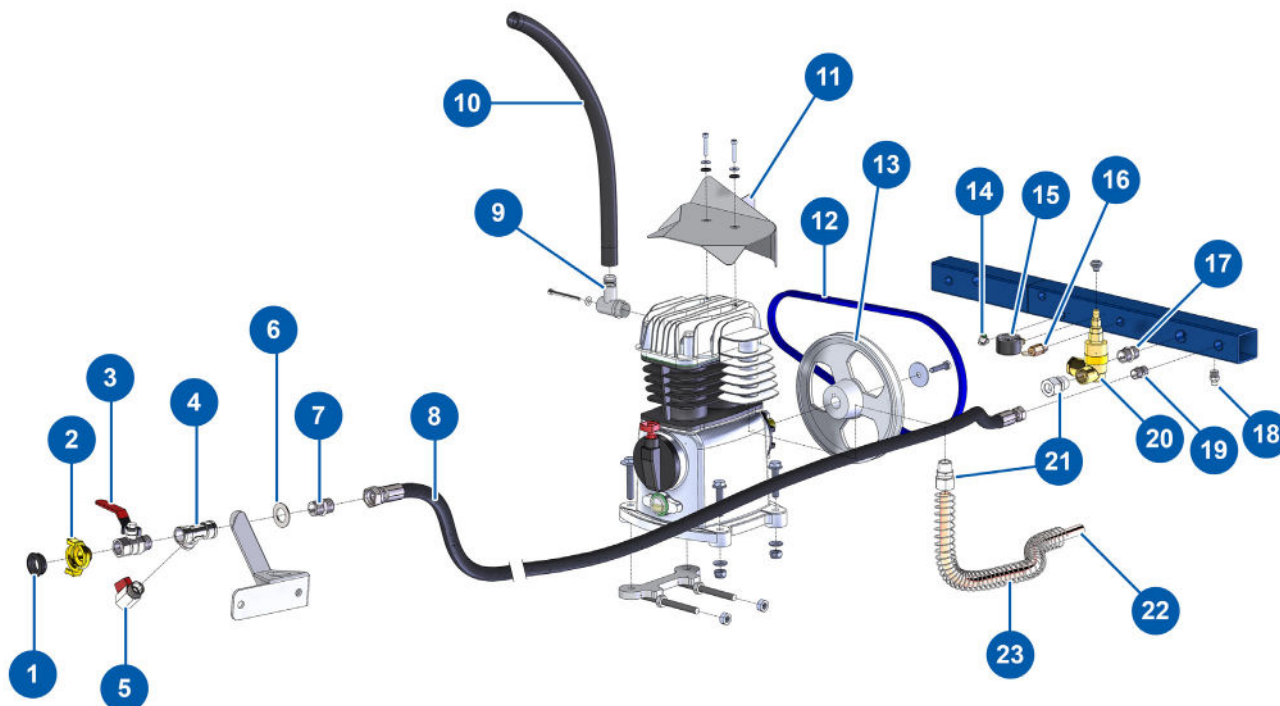
### Radiator



1	13595	Cooling liquid hose $\varnothing$ 10 x 17 per metre - C.P 60
2	C23059	
3	14217	M 6 nylstop inox nut
4	80259	$\varnothing$ 6 medium washer
5	30147	Silentbloc $\varnothing$ 20 x 15 M6 for Compact-pro 30
6	C23057	
7	80094	1/4" corrugated outer threaded coupling $\varnothing$ 10
8	90996	6 x 20 inox cylindrical head screw
9	C23052	
10	90151	8 x 10 cylindrical head screw

11	80260	$\varnothing$ 8 inox medium washer
12	90161	M5 x 12 cylindrical head screw - CP 60 cylindrical head screw
13	70085	$\varnothing$ 5 narrow washer
14	12301	Profile gasket for sealing by the metre
15	14816	High sealing foam new radiator C.P 60 & 80
16	14817	Low sealing foam new radiator C.P 60 & 80
17	C23055	
18	14680	Engine/Hydraulic oil cooler RL 2021 - CP 60

### Compressor group

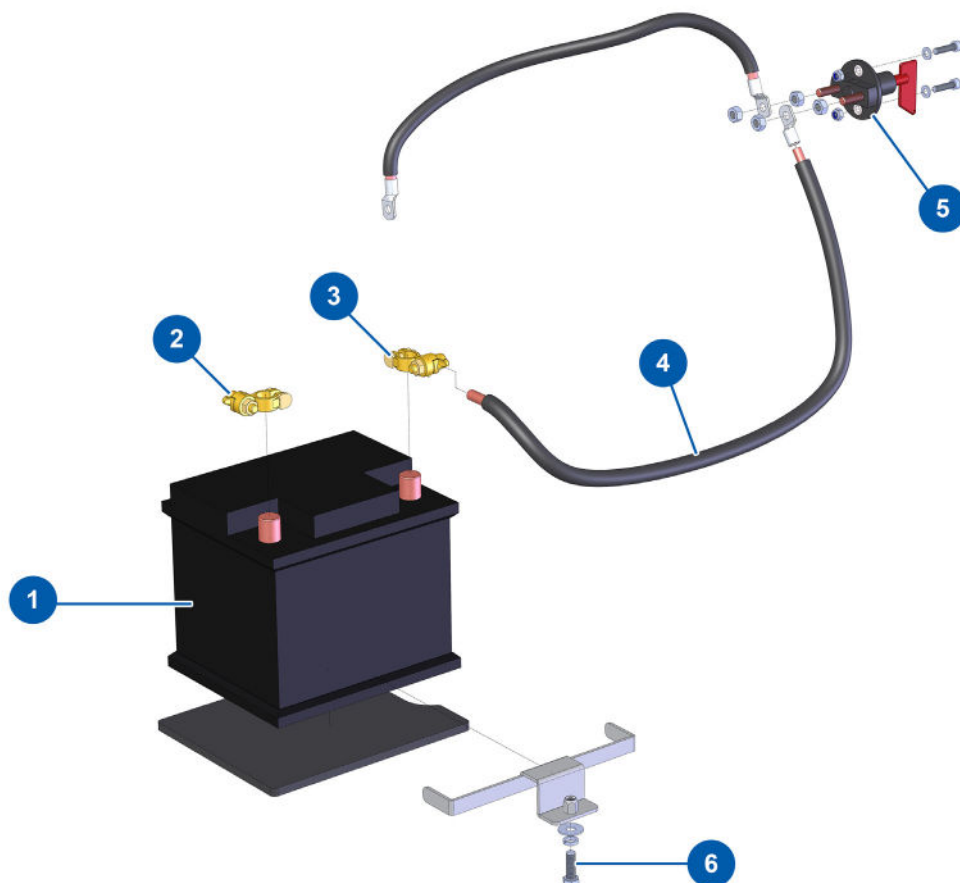


1	12118	GEKA coupling gasket
2	13572	1/2" outer threaded GEKA coupling
3	90023	Red handle valve M1/2" x F1/2"
4	12105	T joint BP F1/2" x F1/2" x F1/2"
5	30137	Mini-Lux valve 1/2"
6	10141	ø 20 inox narrow washer
7	90872	Nipple HP 1/2" MaleD x 3/8" MaleD
8	14174	Flexible hose 222 - Air line - C.P 60
9	C20569	Compressor air inlet elbow - C.P 60
10	12784	Flexible hose 126 - air supply air filter outlet/compression head - C.P 60
11	C20813	Compressor air baffle - C.P 60
12	12478	Compressor belt - C.P 60

13	12482	EUROPRO C.P 60 head pulley
14	30124	Corrugated Legris coupling M1/8" Ø 6
15	80063	Radial manometer 1/8" conical 40 mm 0 to 10 bar
16	80097	1/4" outer threaded safety valve - 10 bar
17	30369	Nipple BP 1/2" MaleC x 1/2" MaleC
18	30133	1/4" male compressor tank purge
19	30367	Nipple BP 3/8" MaleC x 3/8" MaleC
20	80076	1/2" autonomous drain valve
21	13906	M1/2 x 16/14 ogive BP connection
22	C22312	CP60 2017 compressor air outlet copper pipe
23	10688	Spring for E100 steel compressor outlet pipe

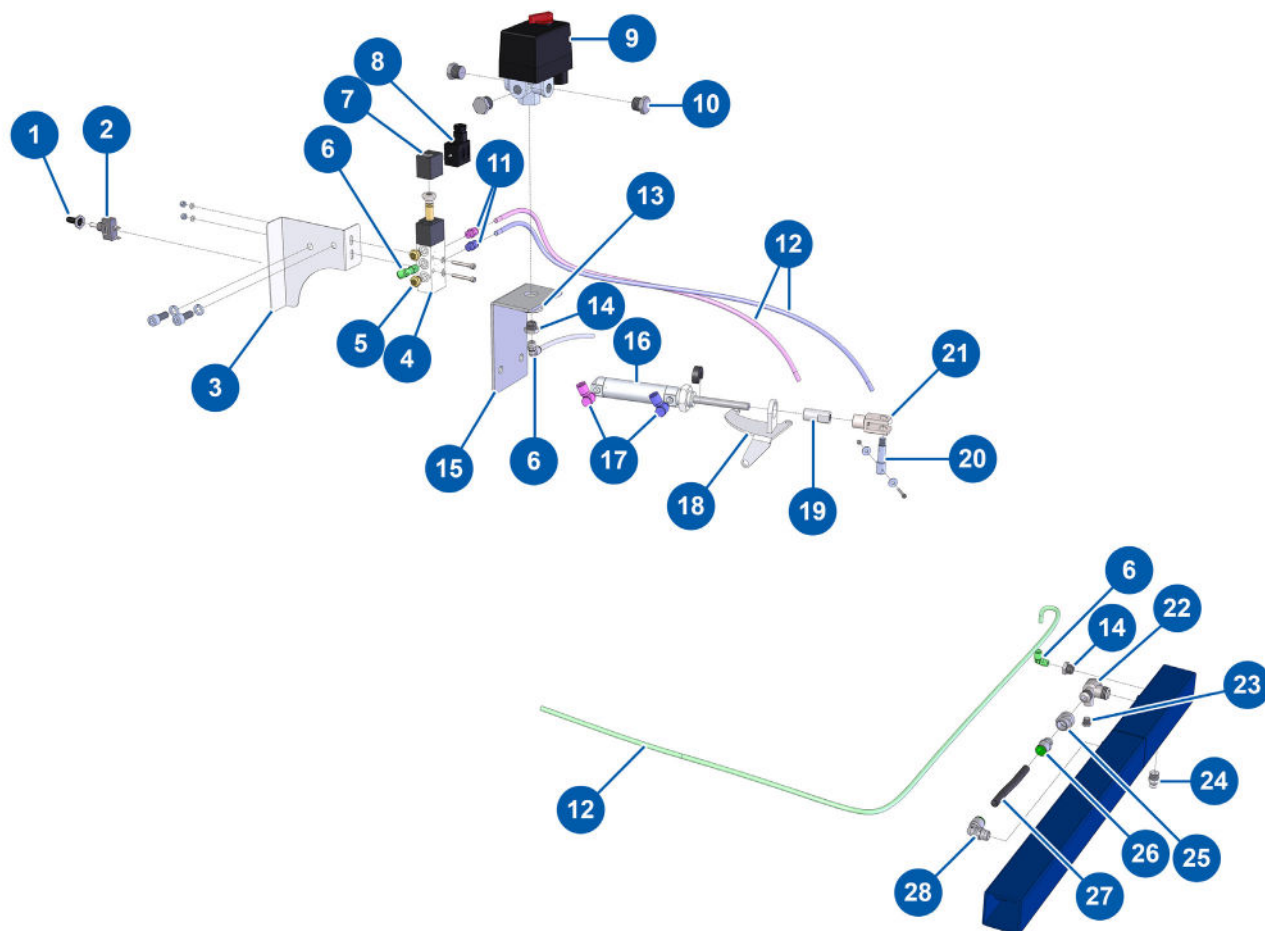


### Battery



1	80188	C.P 60 battery
2	80231	Battery brass - lug
3	80230	Battery brass + lug
4	80234	25 mm <sup>2</sup> battery cable (sold by the metre)
5	12394	CP 60 battery circuit breaker
6	11544	THEF M8 x 25 screw - C.P 60

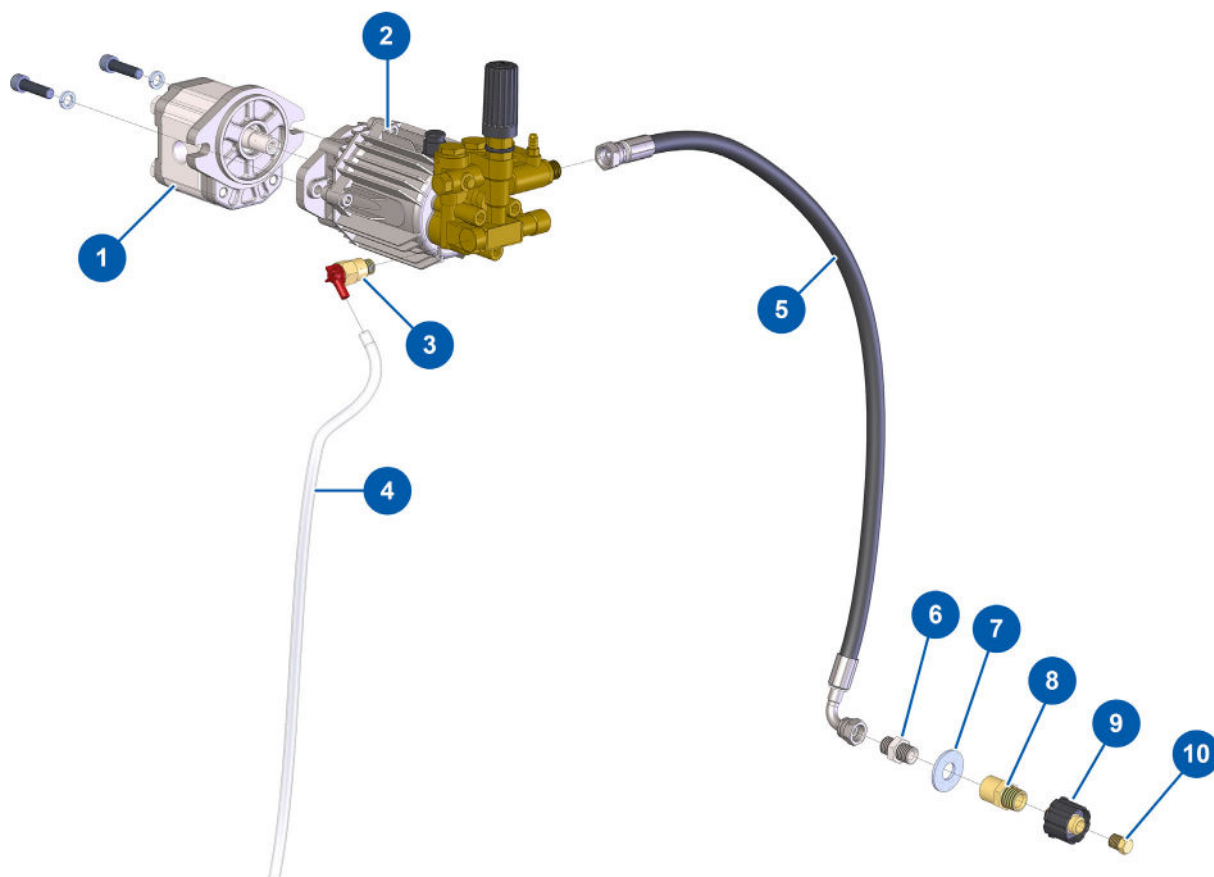
### Automatic accelerator



1	90748	Compressor switch waterproof cap
2	90747	ON/OFF unipolar switch
3	C21386	CP 60 accelerator cover
4	13525	5/2 electro-pneumatic distributor - CP 60
5	12818	Air silencer 1/8" M - CP 60
6	30124	Corrugated Legris coupling M1/8" Ø 6
7	13527	12 VDC coil for electro-pneumatic distributor - CP 60
8	13528	12 VDC coil connector for electro-pneumatic distributor - CP 60
9	30006	Single phase compressor pressure switch
10	30118	Male plug BP 1/4"
11	91038	Legris straight coupling M1/8 Ø 6
12	30403	Black calibrated PU hose Ø 4 x 6
13	30288	Ø 16 inox narrow washer
14	90240	Reduction BP 1/4" MaleC x 1/8" FemaleD
15	C21388	Pressure switch support CP 60

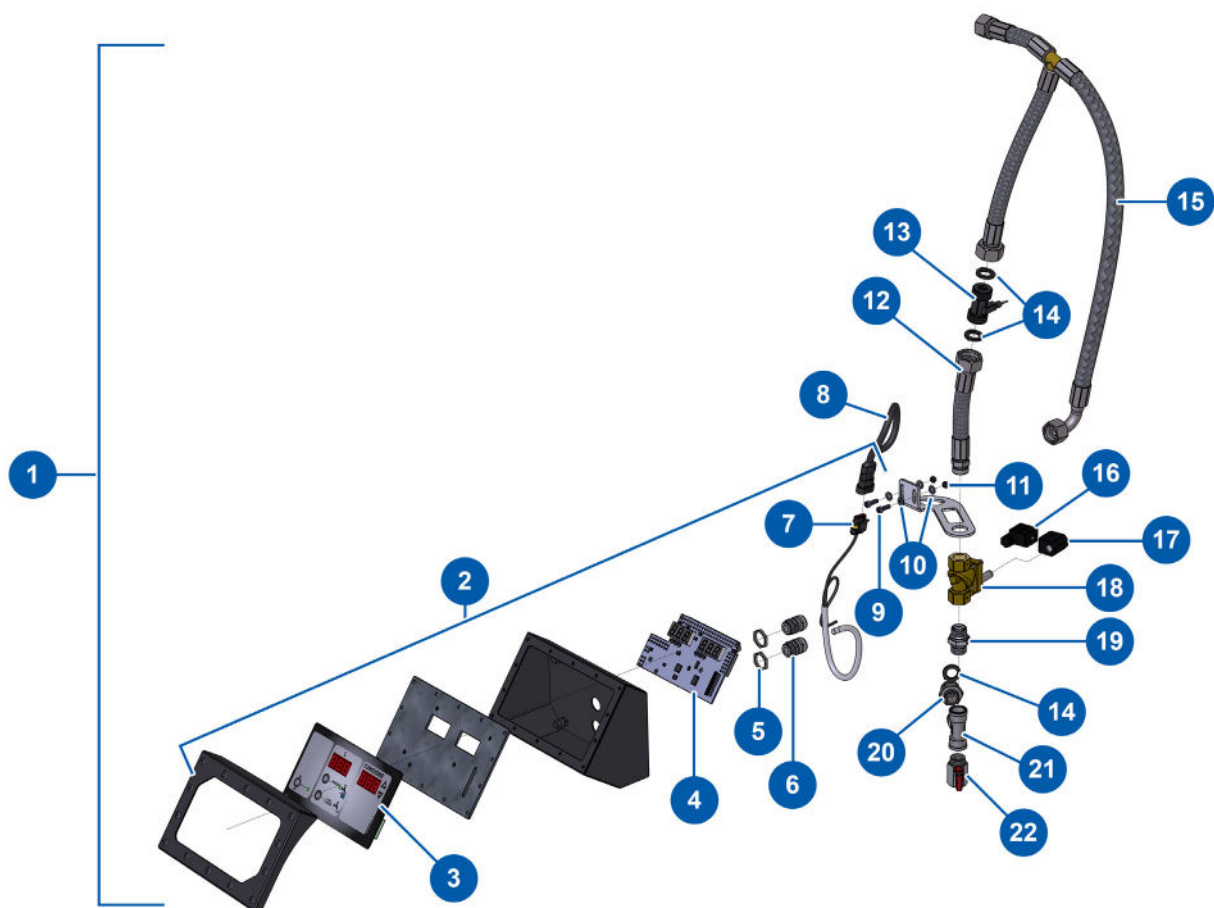
16	12816	Automatic accelerator cylinder - CP 60
17	13529	Banjo flow limiter Ø 6 with 1/8" adjustable screw - CP 60
18	C21307	Mounting plate for pneumatic accelerator cylinder 3 cylinders diesel CP 60 V17
19	M10476	Automatic accelerator stop - CP 60
20	M10477	Automatic accelerator finger - CP 60
21	12817	Female clevis for automatic accelerator cylinder - CP 60
22	80098	Anti-return valve M3/8 x M3/8
23	30133	1/4" male compressor tank purge
24	90237	Male plug BP 1/8"
25	10972	Nipple BP 1/4" FemaleD x 3/8" FemaleD
26	80688	M1/4" Ø 10 push-to-fit connector
27	30405	Black calibrated PU hose Ø 7,5 x 10 by the metre
28	30125	Corrugated Legris coupling M1/4" Ø 10"

### High Pressure Washer



1	12406	Washer 6 cc single-direction hydraulic motor - C.P 60
2	90352	Pump 11 litres 140 bar - C.P 60
3	13101	1/4" thermostatic valve
4	90541	Clear air hose Ø 6 by the metre
5	12605	Flexible hose 88 - HP pump outlet to quick-fit attachment - C.P 60
6	80276	Nipple HP 3/8 MaleD x 3/8 MaleC
7	10003	Ø16 large washer - CP 60
8	90336	L M22-150 M x 3/8 F male quick fit attachment
9	90326	M22-150 x 1/4 F female C quick fit attachment
10	90842	Plug HP 1/4 maleC

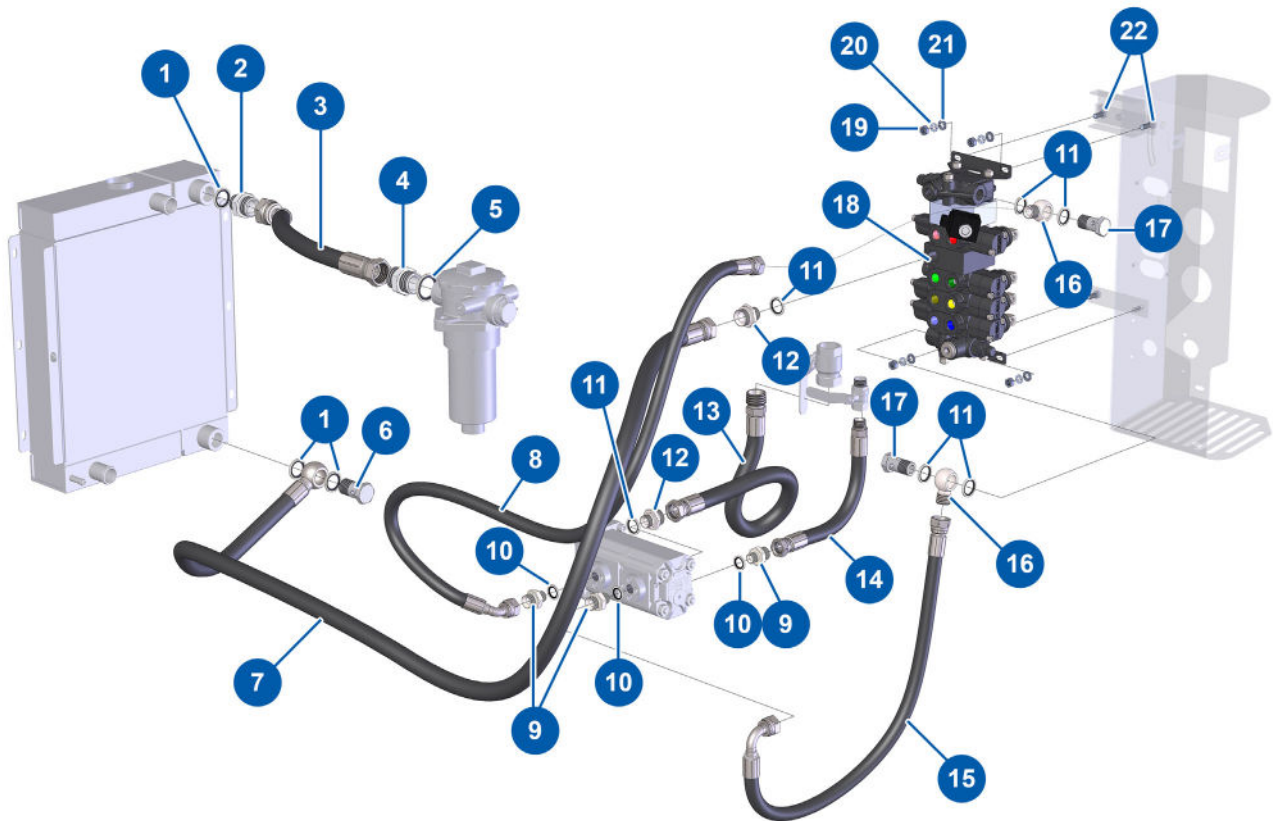
### Water doser



1	14358	Complete digital water doser - C.P 60 & 80
2	14841	Single digital water doser - C.P 60 & 80
3	14144	COMPACT PRO 60 & 80 front with membrane
4	14165	12 V water dosing electronic card- CP 60
5	30060	11mm cable gland nut
6	30082	Nickel plated watertight cable gland of 11
7	13434	3-way connector male spade
8	13433	3-way connector - female lug
9	12863	5 x 20 inox cylindrical head screw
10	11737	ø 5 inox medium washer
11	11880	M 5 nylstop nut
12	14201	Flexible hose 224 - Sensor output - C.P 60 & 80
13	11623	C.P Ideal Mixer flow transmitter sensor

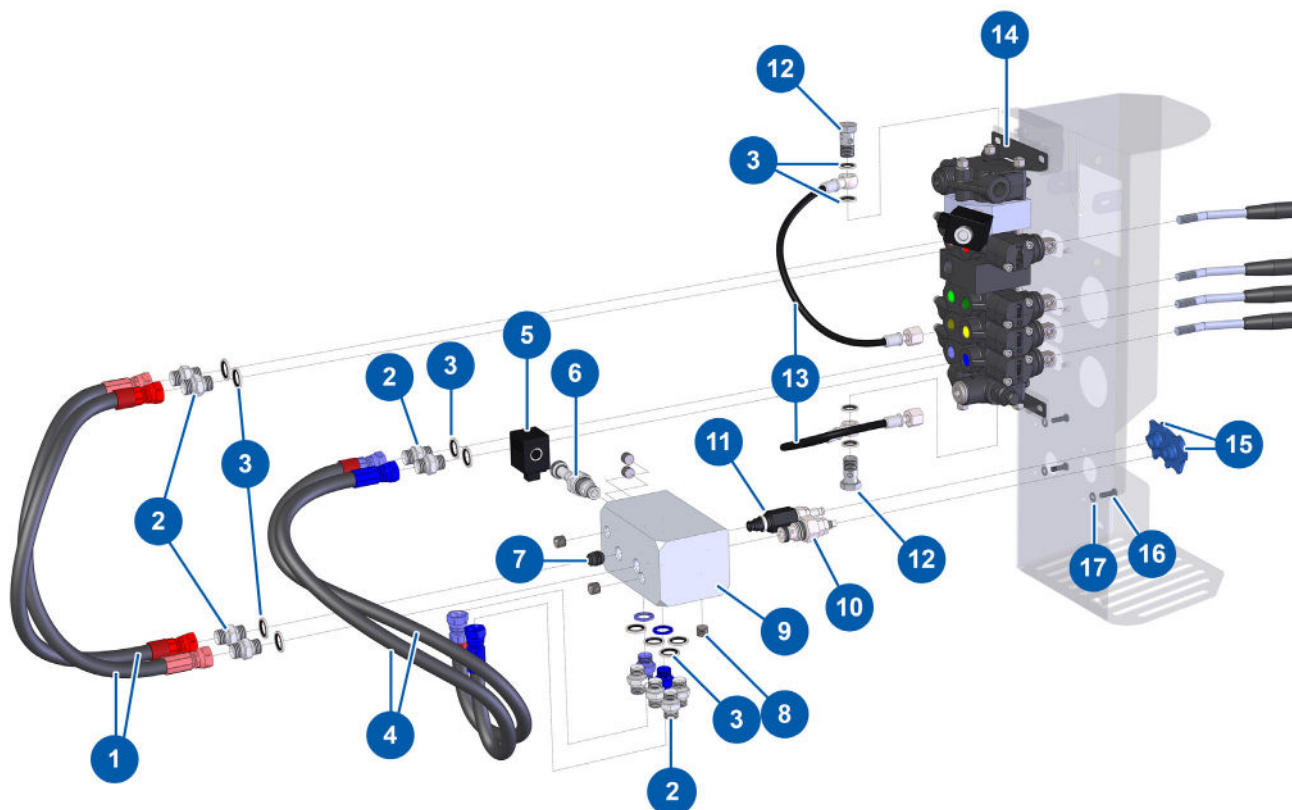
14	11618	3/4" red fiber flat gasket
15	14200	Flexible hose 223 - Digital water meter/pump H.P - C.P 60 & 80
16	13528	12 VDC coil connector for electro-pneumatic distributor - CP 60
17	14199	Water meter solenoid valve 12V DC coil - C.P 60 & 80
18	14198	Water meter solenoid valve 1/2"NF - C.P 60 & 80
19	90627	Nipple HP 1/2" MaleD x 1/2" MaleD
20	11891	Nipple BP 1/2" MaleD x 3/4" MaleD
21	12105	T joint BP F1/2" x F1/2" x F1/2"
22	30137	Mini-Lux valve 1/2"

### Hydraulic (supply)



1	12573	Steel gasket for 3/4" hollow screw with lip	12	12733	HP nipple 1/2" MaleD x 3/4" MaleD"
2	12569	HP nipple 3/4" MaleD x 1" MaleD	13	14403	Flexible 228 - Pump housing outlet 20+8 - C.P 80
3	14523A	Flexible hose 240 - BONDIOLI radiator return/ hydraulic tank - C.P 60 2018	14	14536	Flexible 241 - Pump housing outlet 8cc C.P 80
4	12568	Nipple HP 1" MaleD x 1" MaleD	15	13074	Flexible hose 214 - mixer circuit supply - CP 60
5	12572	Steel gasket for 1" hollow screw with lip	16	12571	1/2" banjo threaded 1/2"
6	13307	3/4 HP drilled head screw	17	13285	1/2 drilled head screw ø 21
7	13305A	Flexible hose 220 - distributor/oil cooler - CP 60	18	12332	5-way distributor with LP and integrated hopper Bypass - C.P 60
8	13075	Flexible hose 215 - hopper circuit supply - CP 60	19	90440	M 8 zinc plated nut
9	90872	Nipple HP 1/2" MaleD x 3/8" MaleD	20	80269	Grower washer ø 8
10	91031	Steel gasket for hollow screw with 3/8 lip	21	30256	ø 8 inox narrow washer
11	91032	Steel gasket for hollow screw with 1/2" lip	22	30273	THEF 8 x 20 screw

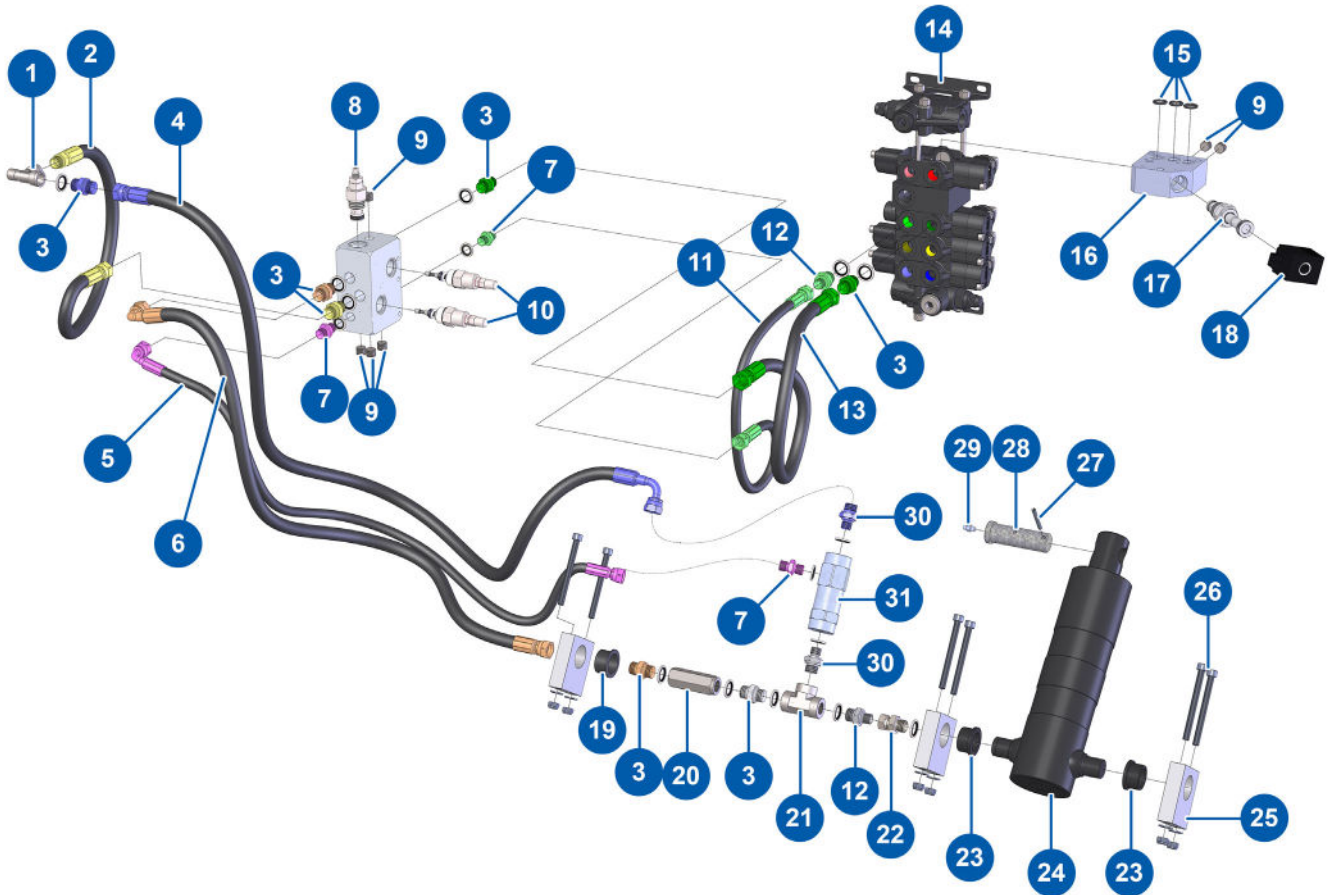
### Hydraulic (control)



1	13060A	Flexible hose 201 - copper control - CP 60
2	90698	Nipple HP 3/8 MaleD x 3/8 MaleD
3	91031	Steel gasket for hollow screw with 3/8 lip
4	13063A	Flexible hose 204 - mixer control - CP 60
5	13316	12V coil by-pass valve in cartridge - C.P 60
6	12912	12V bypass valve - CP 60
7	12577	3/8 cartridge check valve - C.P 60
8	12576	Male headless plug HP 1/4" MaleC
9	M10404	Speed regulator hydraulic block - CP 60
10	13016	Mixer cartridge 45L/min single flow limiter - C.P 60

11	13143	Hopper cartridge 20L/min equalised flow limiter - C.P 60
12	91033	3/8 drilled head screw
13	13027	Manometer hose 400 mm 1/4"F (mano) x 1 banjo Ø 14 mm - C.P 60
14	12332	5-way distributor with LP and integrated hopper Bypass - C.P 60
15	M10421	Flow limiter cartridge handle - C.P 60
16	11145	6 x 16 inox cylindrical pan head screw
17	30291	Large washer Ø 6 - CP 60

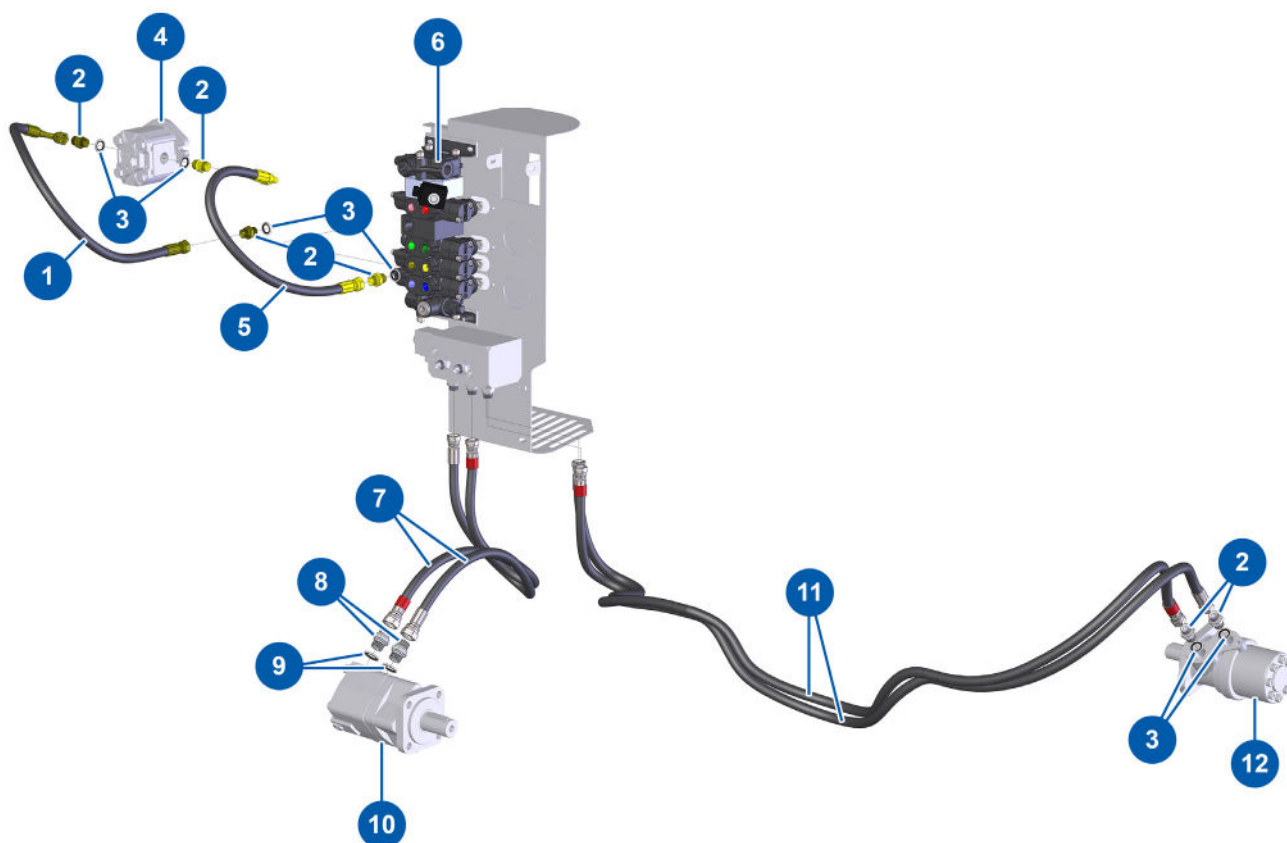
### Hydraulic (regulation)



1	12530	T BP M3/8 x F3/8 x F3/8
2	13059	Flexible hose 200 - cylinder block return/hydraulic tank - CP 60
3	90698	Nipple HP 3/8 MaleD x 3/8 MaleD
4	14288	Flexible hose 227 - Lowering cylinder supply - P.C. 60
5	13065A	Flexible hose 206 - valve control - CP 60
6	12606	Flexible hose 42 - cylinder supply - C.P 60
7	90703	Nipple HP 1/4 MaleD x 1/4 MaleD
8	13016	Mixer cartridge 45L/min single flow limiter - C.P 60
9	12576	Male headless plug HP 1/4" MaleC
10	13020	Cylinder pressure limiter - CP 60
11	13064	Flexible hose 205 - cylinder control - CP 60
12	90704	Nipple HP 1/4 MaleD x 3/8 MaleD
13	13067A	Flexible hose 216 - control distributor/cylinder block - C.P 60
14	12332	5-way distributor with LP and integrated hopper Bypass - C.P 60

15	14420	13 x 3 O-ring
16	M10626	
17	12912	12V bypass valve - CP 60
18	13316	12V coil by-pass valve in cartridge - C.P 60
19	14423	Bearing with flange 28/32 x 20 - C.P 60 & 80
20	14268	HP 2 x 3/8"F non-return valve
21	80438	Equal T HP 3/8 femaleC
22	14287	Nipple HP 16/150 MaleD x 3/8" FemaleC - C.P 60
23	14129	Bearing with flange 25/32 x 20 - C.P 60 & 80
24	12307	Mixer telescopic cylinder - C.P 60
25	M20015	Hopper cylinder support C.P 60 & 80
26	14152	8 x 90 cylindrical head screw
27	12474	Cylinder axis elastic pin - CP 60
28	M10251	Cylinder axle - CP 60
29	60012	M6 greaser
30	1057100	Nipple HP 3/8 MaleC x 1/4 MaleD
31	14599	Cylinder operated non-return valve - CP 60

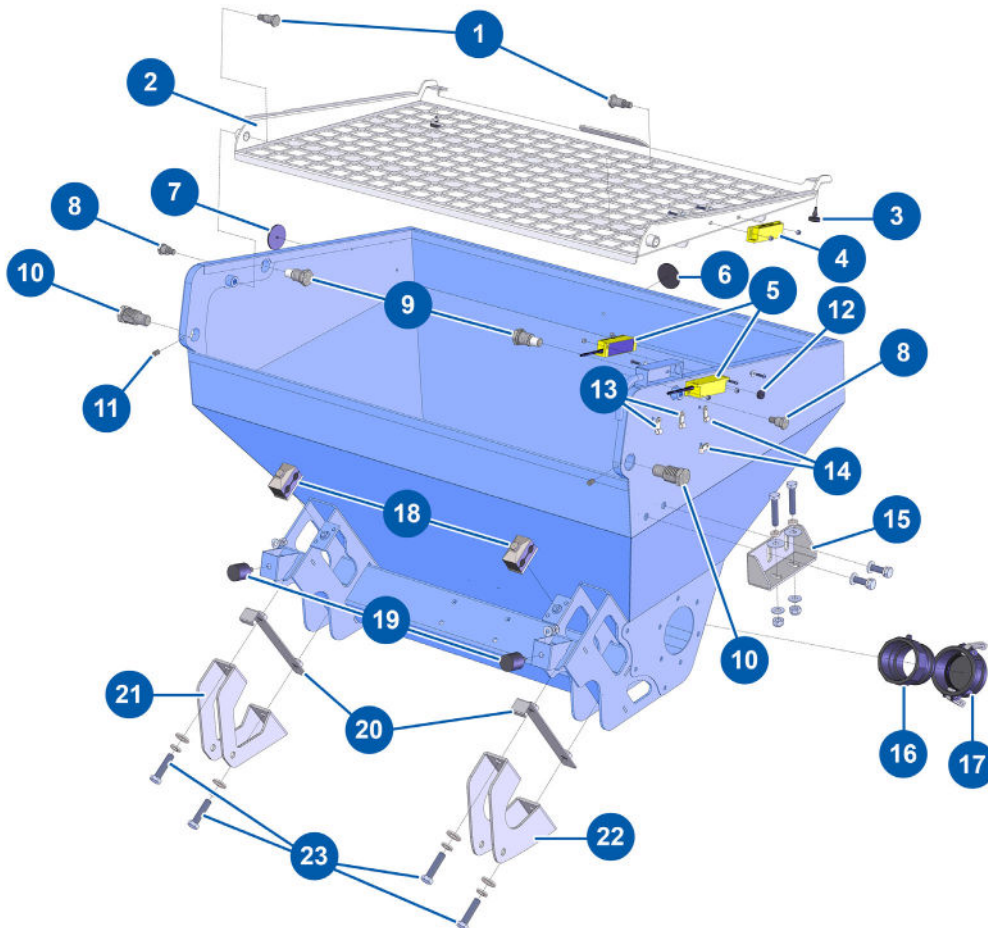
### Hydraulic (actuators)



1	13062	Flexible hose 203 - cleaner - CP 60
2	90698	Nipple HP 3/8 MaleD x 3/8 MaleD
3	91031	Steel gasket for hollow screw with 3/8 lip
4	12406	Washer 6 cc single-direction hydraulic motor - C.P 60
5	13061	Flexible hose 202 - cleaner - CP 60
6	12332	5-way distributor with LP and integrated hopper Bypass - C.P 60
7	13242A	Flexible hose 217 - hopper outlet - CP 60
8	90627	Nipple HP 1/2" MaleD x 1/2" MaleD
9	91032	Steel gasket for hollow screw with 1/2" lip
10	13546	CP60 hopper hydraulic motor BMS 160
11	13243A	Flexible hose 218 - mixer outlet - CP 60
12	12403	Mixer BMR 250 hydraulic motor - C.P 60



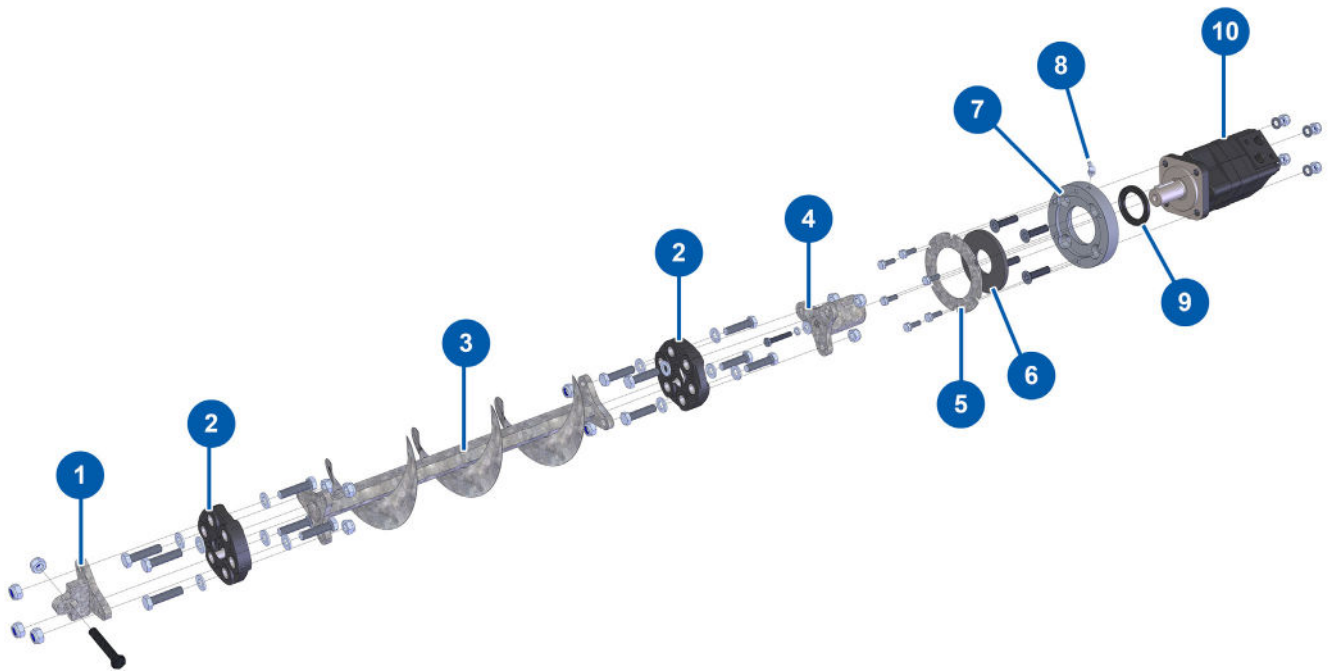
### Mortar hopper tank



1	M20016	Pivot pin for C.P 60 & 80 mortar hopper grid
2	C22140	Mortar hopper grid C.P 60 & 80
3	12385	Mobile hood foam rubber stop - C.P 60
4	12980	Hopper and mixer safety grid sensor - C.P 60
5	12120	Grid safety sensor for JETMIX, MIXPRO 14, 70 & 100
6	12361	Round & orange reflector - C.P 60
7	12362	Round & white reflector - C.P 60
8	M20012	Anti-dust grid locking pin C.P 60 & 80
9	M20013	Pivot pin for C.P 60 & 80 anti-dust grid
10	M20014	Mixer pivot finger - C.P 60 & 80
11	14151	8 x 12 stainless steel socket head screw with flat tip

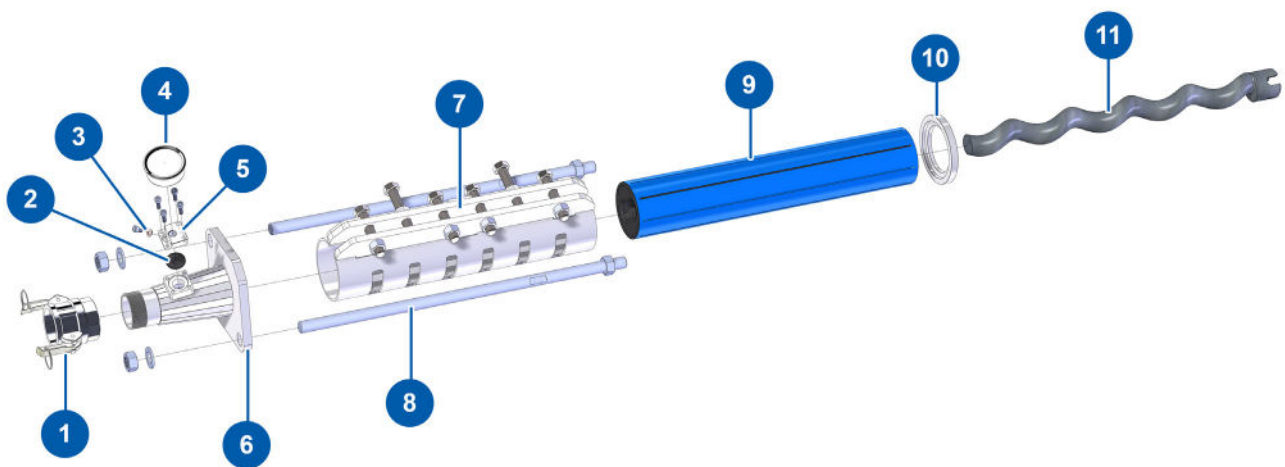
12	13399	Ø6 rubber grommet
13	90266	Cable support Ø 7.9
14	90676	Cable support Ø 6.4
15	C22024	CP 60 2017 hopper support gusset
16	13172	Polypro 3" threaded adapter - C.P 60
17	13171	Polypro 3" female cam plug - C.P 60
18	12438	Double tube collar ø 22 - JET 750
19	90769	Ø 30 x 30 M8 stop
20	C22109	Hopper mounting strip C.P 60, 80 & 120
21	C22043	C.P 60, 80 & 120 hopper front clamping flange
22	C22045	C.P 60, 80 & 120 hopper rear clamping flange
23	12467	THEF 12 x 50 screw

### Transmission



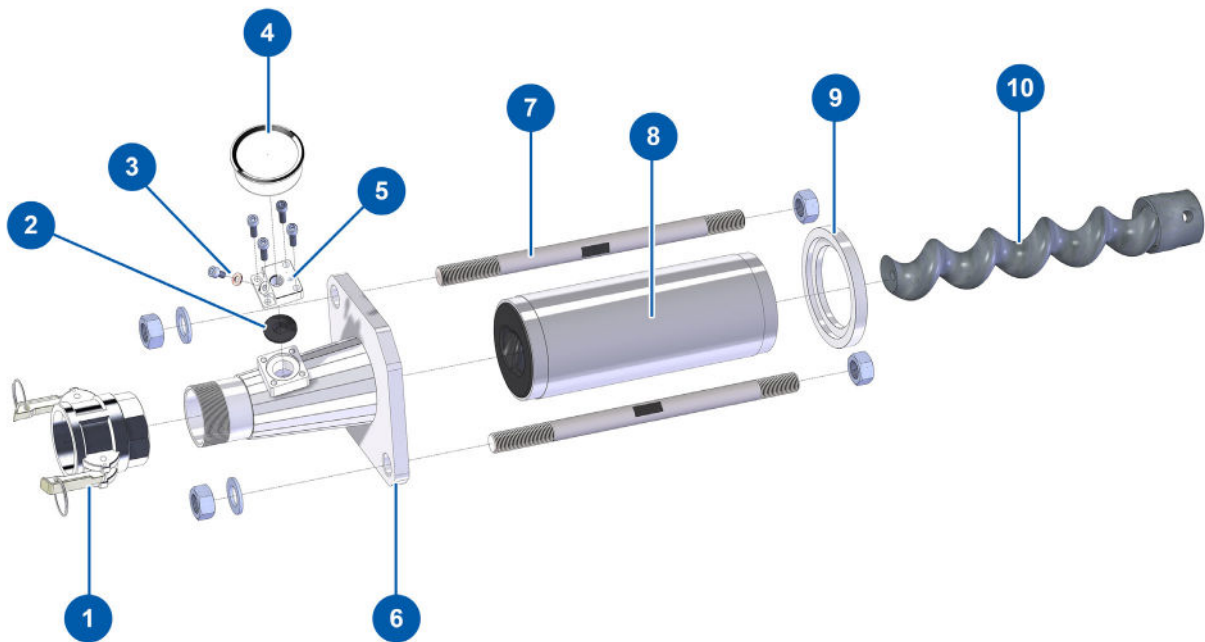
1	C20663	Worm gear stator link coupling - C.P 60
2	12484	Transmission shaft elastic coupling - C.P 60
3	C20508	Hopper driving shaft - CP 60
4	C20701	Motor/hopper coupling - C.P 60
5	C20389	Reinforcement washer - CP60
6	12511	Tank base gasket - C.P 60
7	M10332	H25 hopper motor bearing - C.P 60
8	12397	45° x M6 greaser - C.P 60
9	12825	Spi seal 50 x 72 x 6 - C.P 60
10	13546	CP60 hopper hydraulic motor BMS 160

### Pump (facade)



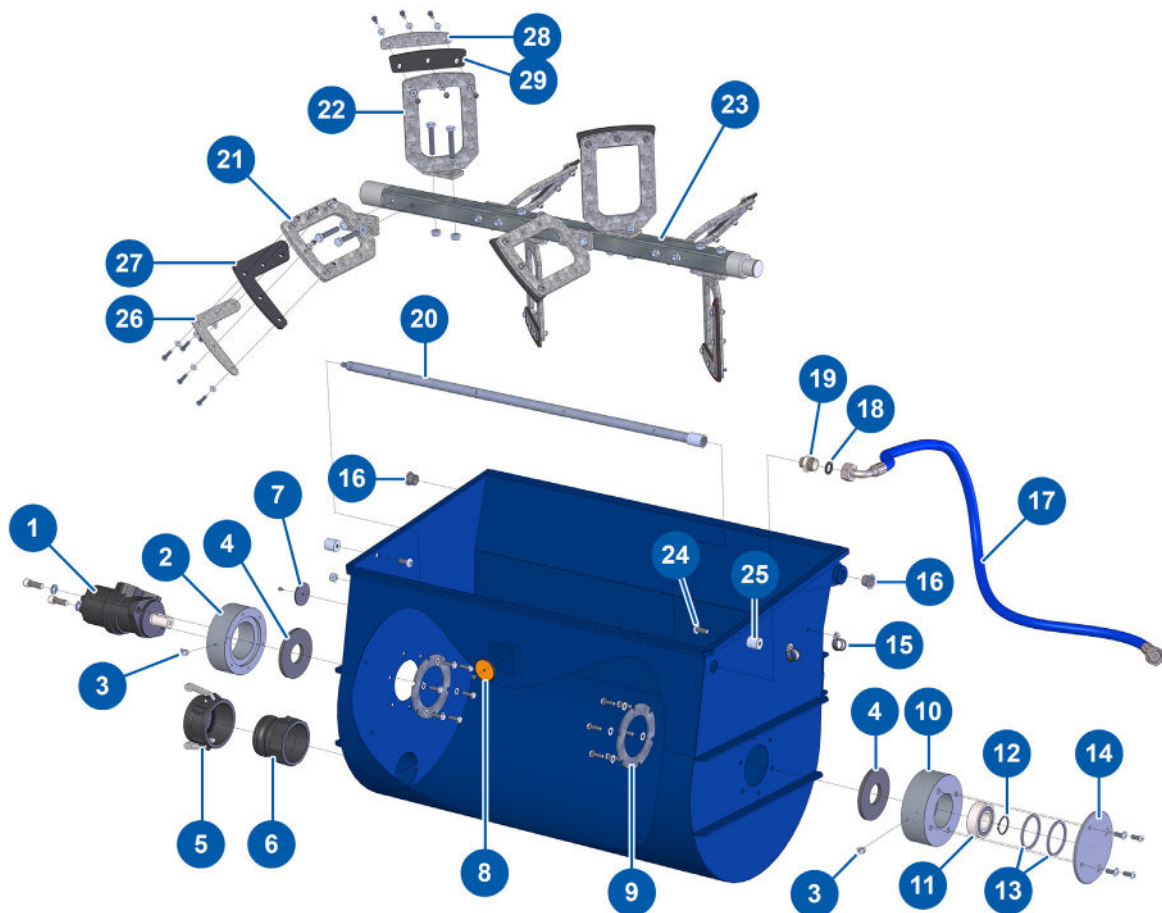
1	12364	C.P 60 2" threaded steel cam coupler
2	12126	MIXPRO 14 pump head manometer membrane
3	12765	Copper seal for JETPRO 80 pump nose
4	80070	Axial manometer 1/4" conical oil 50 mm 0 to 60 bar
5	M10079	MIXPRO 14 cage cover
6	C20500	Pump head clamp for 2L6 stator - C.P 60
7	C20766	MAP10 - CP60 stator tightener
8	M10281	595 mm fastening tie rod for CP 60
9	MI3F00503800	EUROPRO JUMBO SX 8 slits pump stator
10	M10361	CP60 stator centring ring
11	MI7009008800	EUROPRO JUMBO pump rotor

### Pump (E.W.I.)



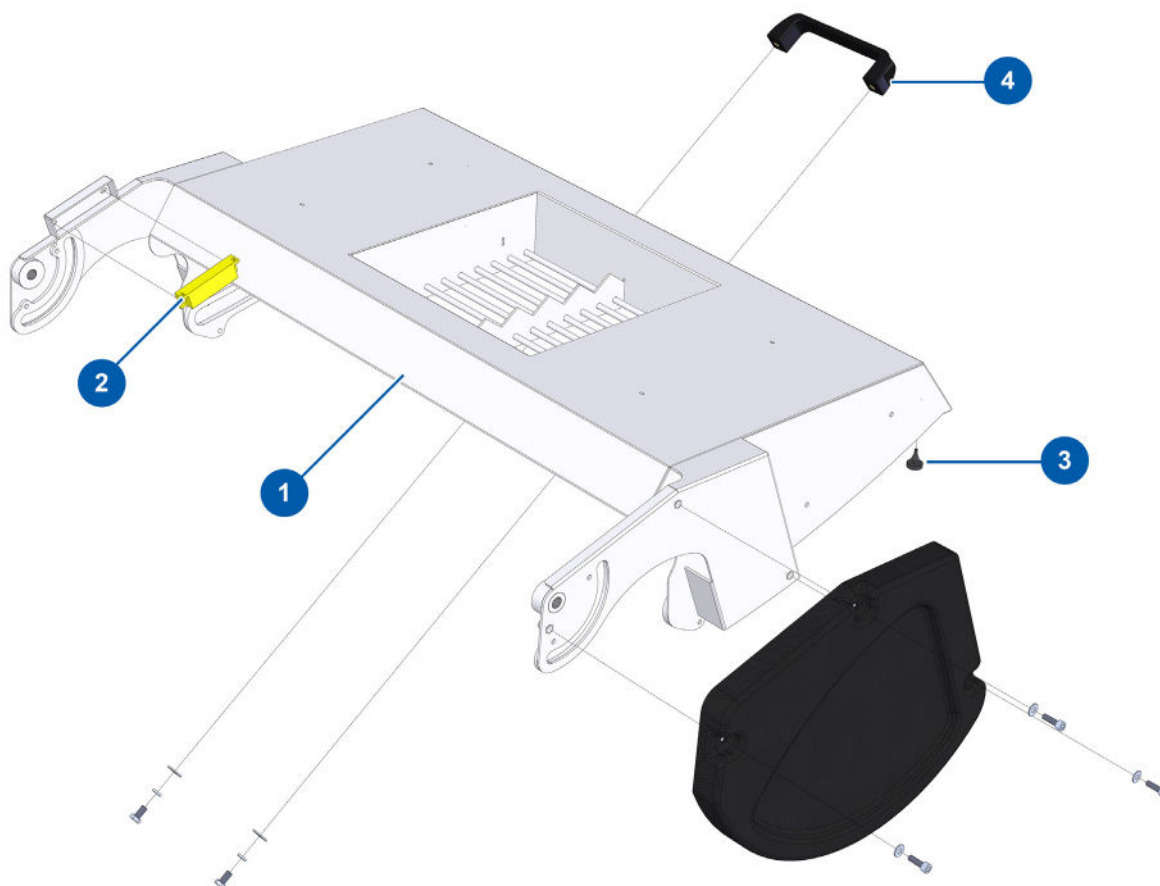
1	12364	C.P 60 2" threaded steel cam coupler
2	12126	MIXPRO 14 pump head manometer membrane
3	12765	Copper seal for JETPRO 80 pump nose
4	80070	Axial manometer 1/4" conical oil 50 mm 0 to 60 bar
5	M10079	MIXPRO 14 cage cover
6	C20500	Pump head clamp for 2L6 stator - C.P 60
7	M10354	330 mm fastening tie rod for CP 60
8	MI3F00522201	EUROPRO MAP 8 SX pump stator
9	M10361	CP60 stator centring ring
10	MI7009043700	EUROPRO MAP 8 pump rotor

### Mixer



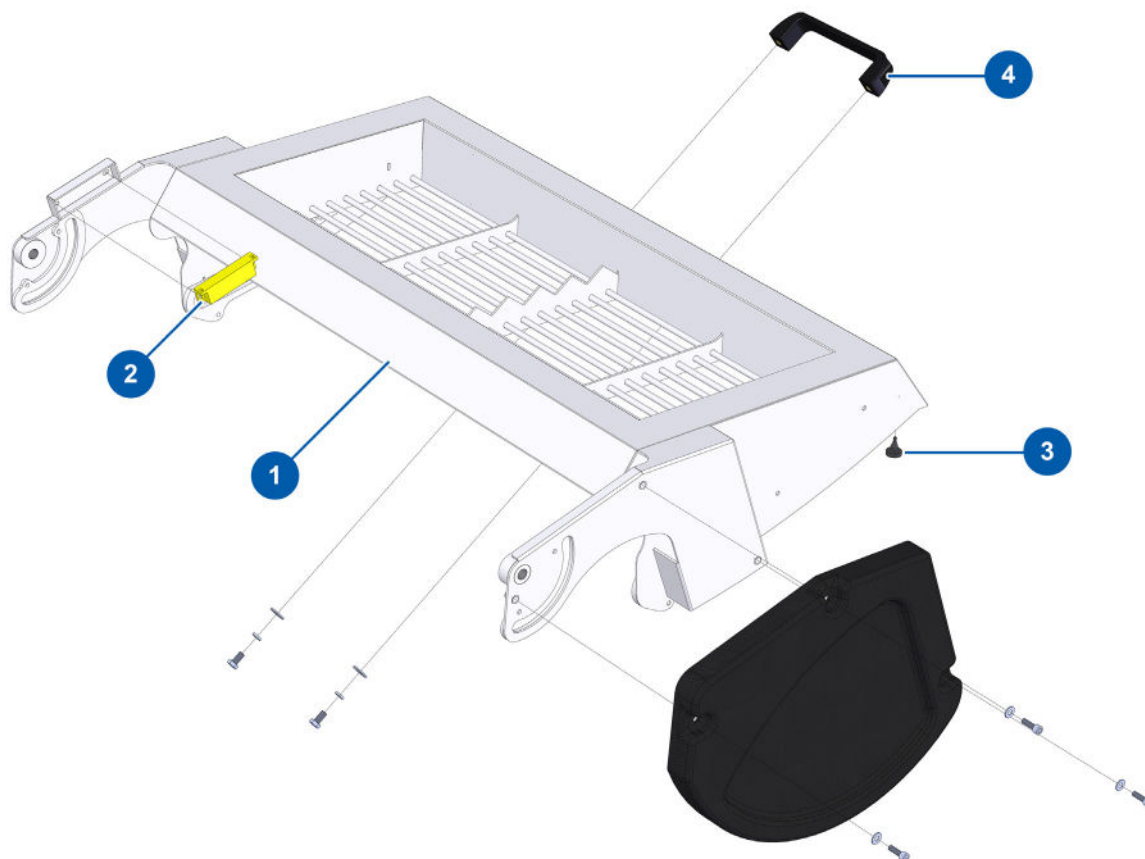
1	12403	Mixer BMR 250 hydraulic motor - C.P 60	16	12418	Bearing with flange 20/23 x 16 - C.P 60
2	M10244	Mixer motor bearing housing - CP60	17	13625	Flexible hose 221 - mixer hopper water supply - C.P 60 from 11/2015
3	12397	45° x M6 greaser - C.P 60	18	11618	3/4" red fiber flat gasket
4	12511	Tank base gasket - C.P 60	19	11891	1/2" MaleD x 3/4" MaleD low-pressure nipple
5	13171	Polypro 3" female cam plug - C.P 60	20	C20605	Mixer water distribution ramp - C.P 60
6	13172	Polypro 3" threaded adapter - C.P 60	21	C20422	Mixing right paddle - C.P 60
7	12362	Round & white reflector - C.P 60	22	C20421	Mixing left paddle - C.P 60
8	12361	Round & orange reflector - C.P 60	23	C20568	Mixing shaft - C.P 60
9	C20389	Reinforcement washer - CP60	24	14169	10 x 25 inox cylindrical pan head screw
10	M10243	Mixer bearing - CP 60	25	M20005	Slide pin for mixer tank C.P 60, 70 & 80
11	12479	Self-aligning ball bearing Ø 35 x 72 x 23 - C.P 60	26	C22153	CP 60 2017 blade end flap tightening plate
12	12481	External circlips ø 35- CP 60	27	14127	CP 60 & 80 mixer end blade flap
13	M10293	Mixer hopper bearing wedging ring - C.P 60	28	C22152	CP 60 2017 blade flap tightening plate
14	C20510	CP60 V17 bearing block cover	29	14128	CP 60 & 80 mixer blade flap
15	13179	ø 20 cable collar - CP 60			

### Anti-dust mixer grid



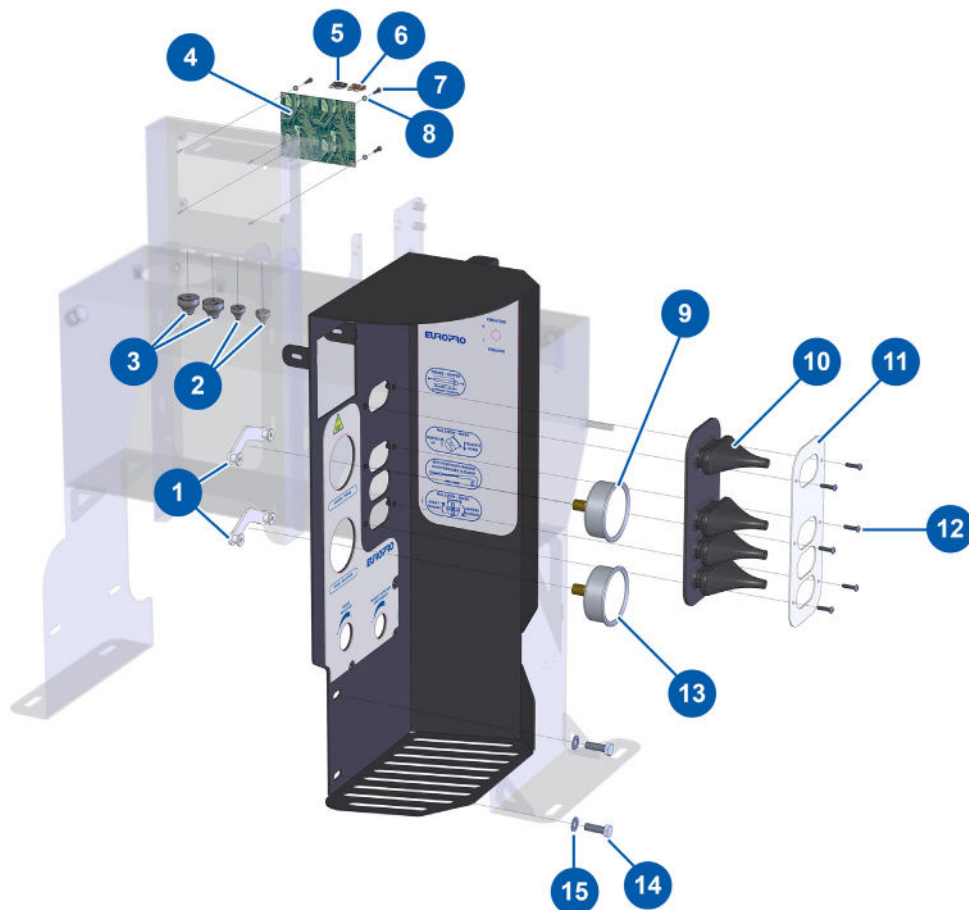
1	14363	Anti-dust mixer grid - C.P 60 & 80
2	12980	Hopper and mixer safety grid sensor - C.P 60
3	12385	Mobile hood foam rubber stop - C.P 60
4	1042523	C.P 60 grid handle

### Openwork mixer grid



1	C22274	CP60 2017 reinforced openwork grid
2	12980	Hopper and mixer safety grid sensor - C.P 60
3	12385	Mobile hood foam rubber stop - C.P 60
4	1042523	C.P 60 grid handle

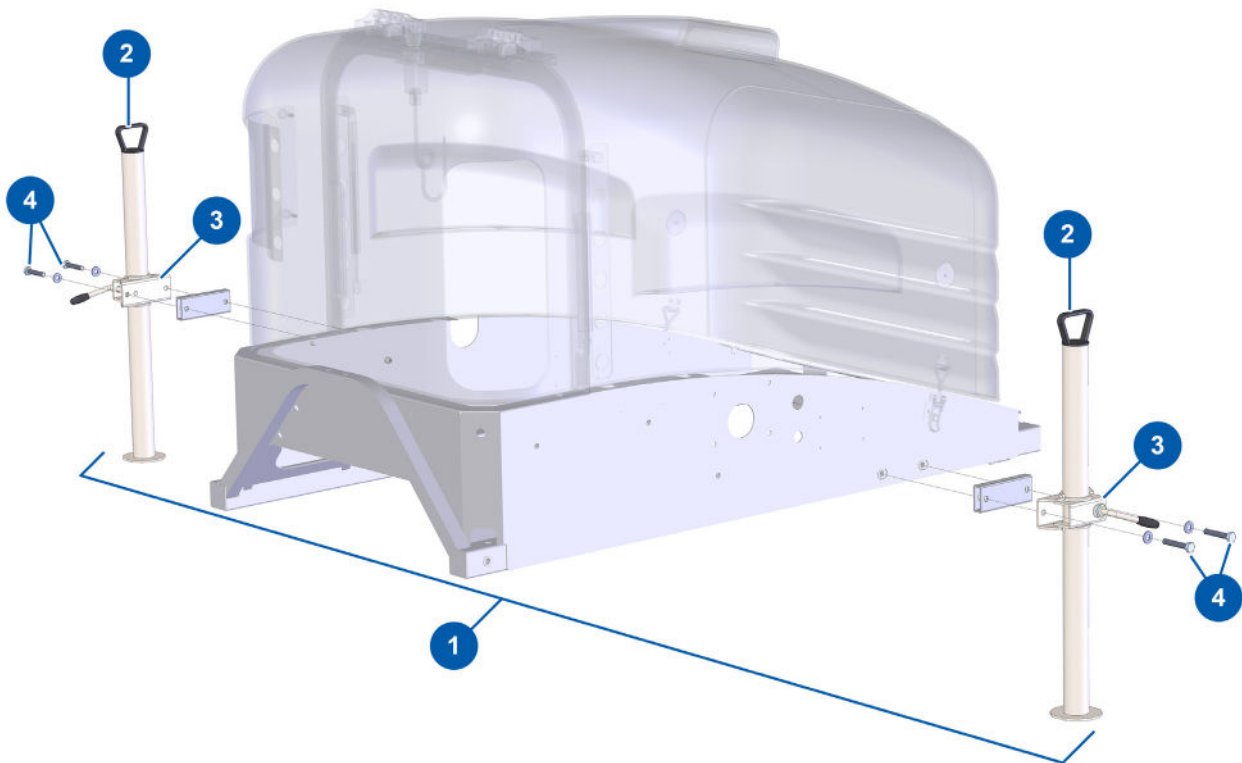
### Control panel



1	80195	Fixing U-blot for manometer Ø 63
2	11564	M 16 grey rubber cable gland
3	13632	M 20 grey rubber cable gland
4	13079	Standard US 2A fuse - CP 60
5	13080	Standard US 5A fuse - CP 60
6	12988	Safety electronic card - C.P 60
7	12249	3 x 12 cylindrical head screw
8	12108	Ø 3 inox narrow washer
9	13207	Cylindrical 1/4 axial manometer 63 mm 0 to 250 bar - C.P 60
10	13114	4-lever distributor protective diaphragm - C.P 60
11	C20906	Support flange bellows control panel CP 60
12	11721	4 x 16 inox cylindrical pan head screw
13	12342	Cylindrical 1/4" axial manometer 63 mm 0 to 160 bar - C.P 60
14	11544	THEF M8 x 25 screw - C.P 60
15	30256	Ø 8 inox narrow washer

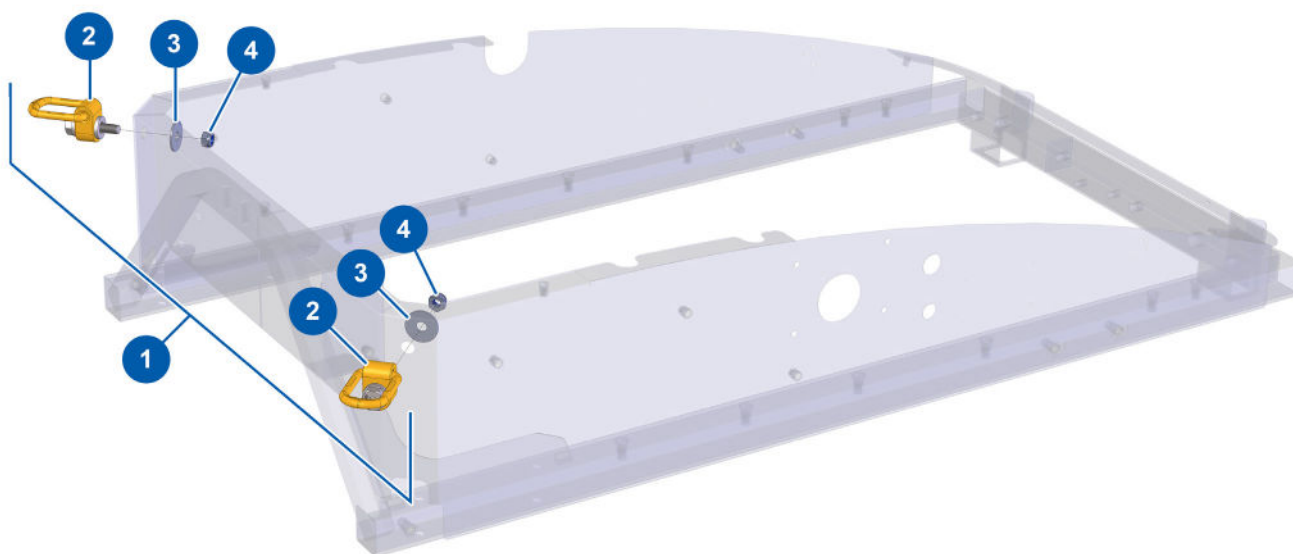


### Rear stabilizers option



1	14372	Rear stabilizers option - C.P 60, 80, 90 & 120
2	12401	Stabilizer Ø 48 Lg 700 mm - C.P 60
3	12400	Stabilizer fixing support Ø 48 - C.P 60
4	30261	THEF 10 x 60 screw

### Lifting frame option



1	14431	Set of lifting accessories for towable Compact Pro
2	14432	Bolt-on lifting ring CMU 1T
3	30294	Ø12 inox large washer
4	10051	M 12 nylstop nut